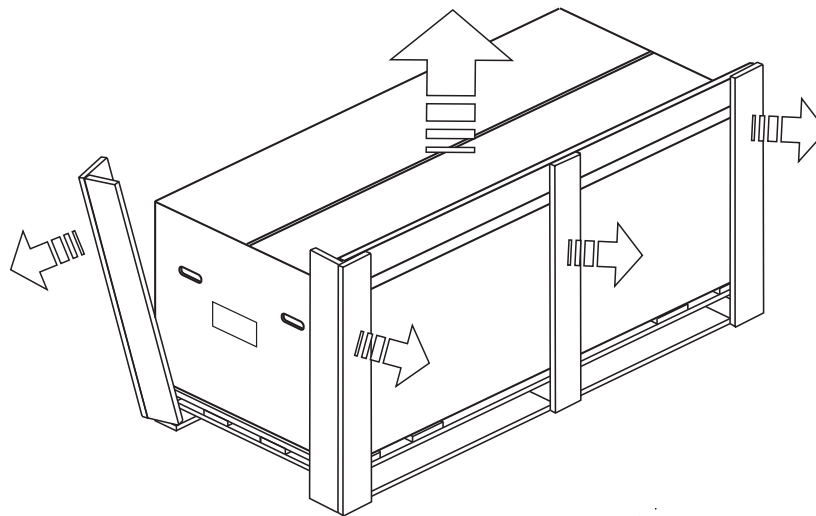
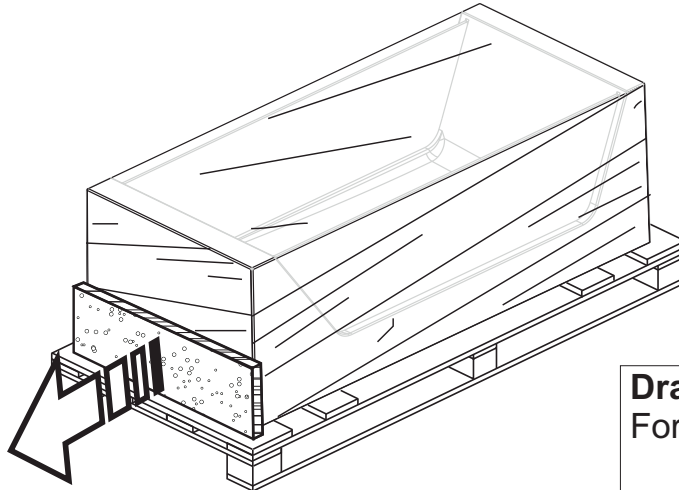


1

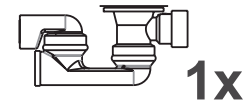


2

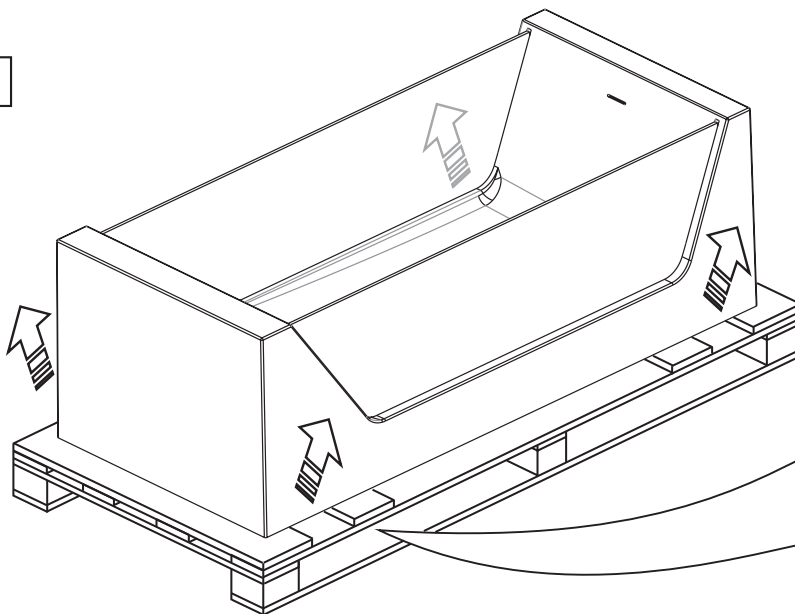


Drain

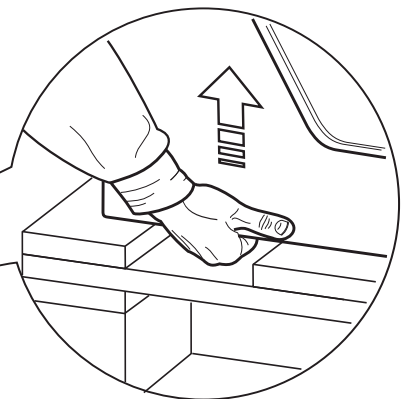
For assembly see picture no. 4



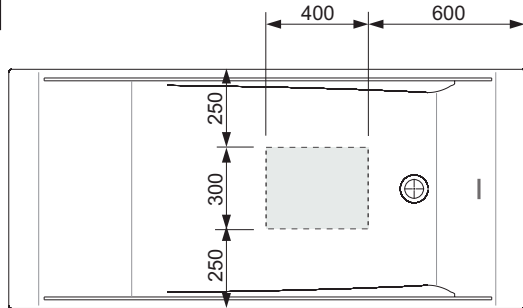
3




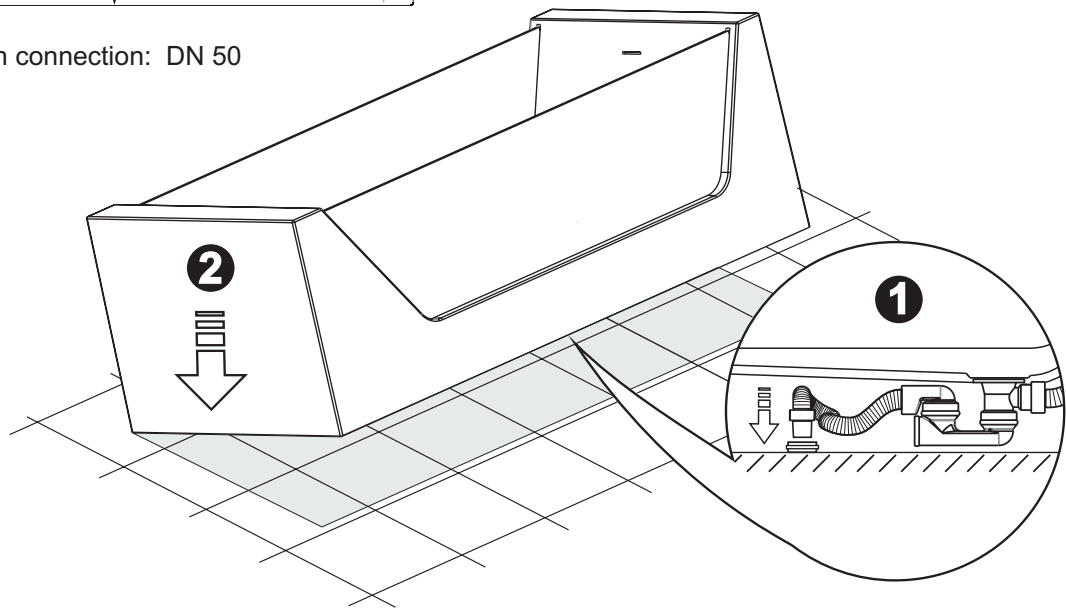
WARNING:
Weight 131 kg !



4



 Drain connection: DN 50



5

