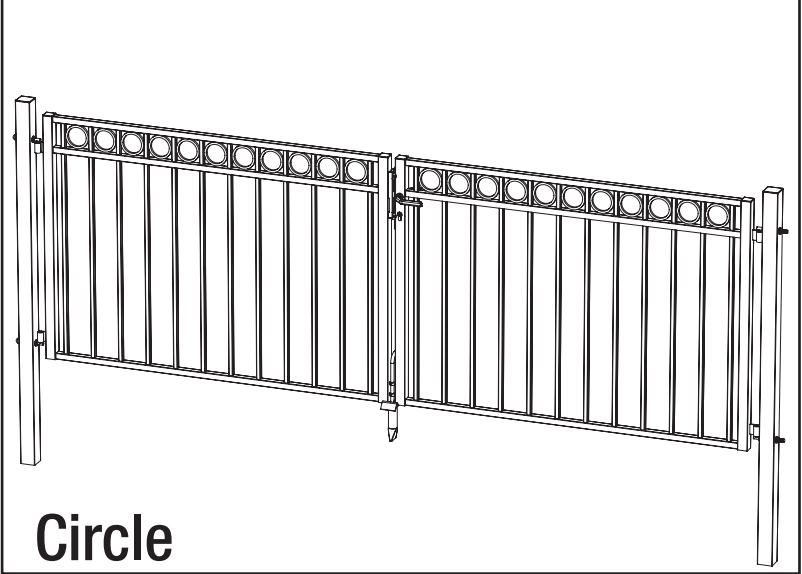
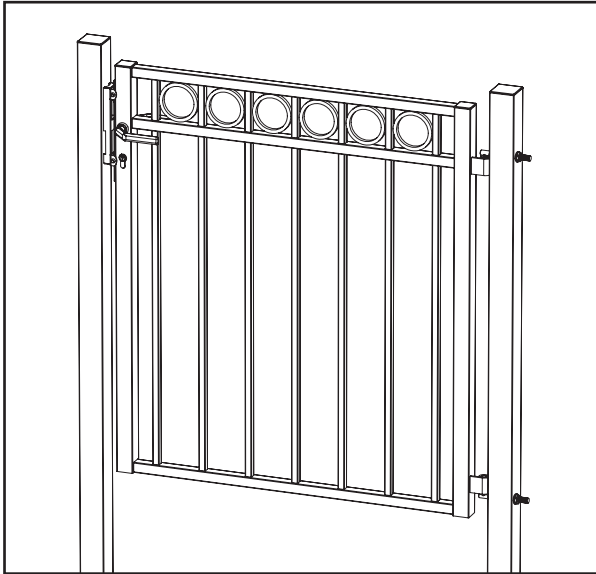
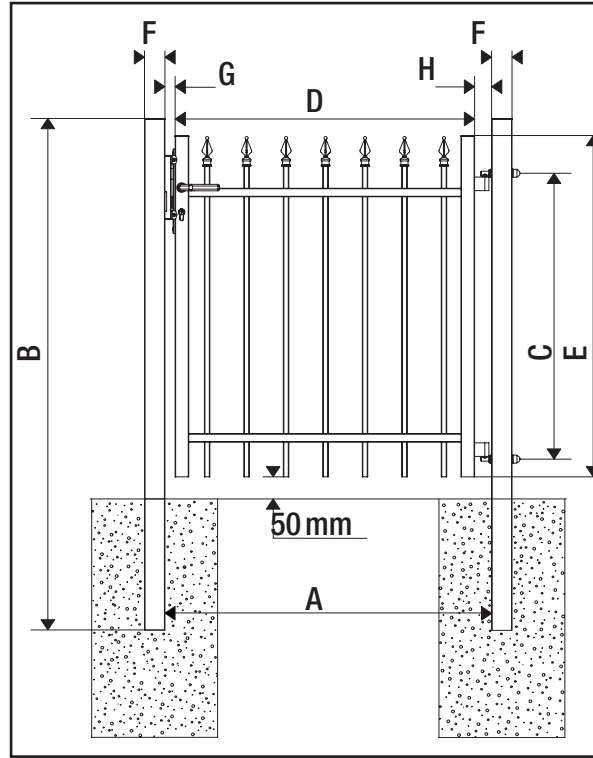
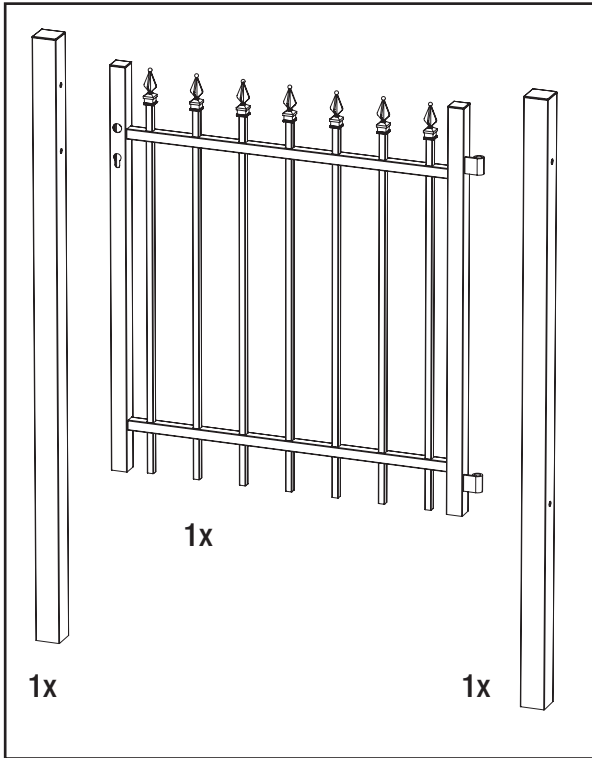


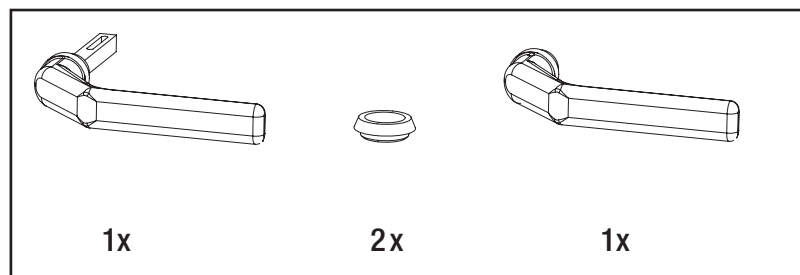
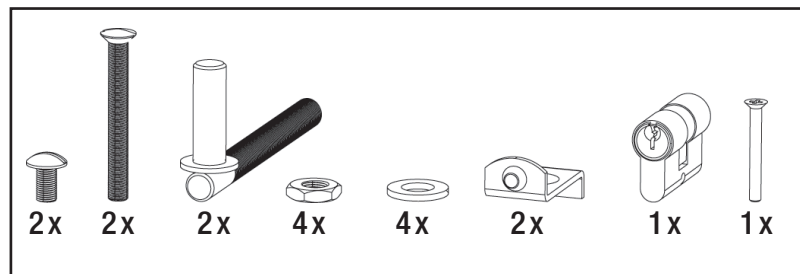
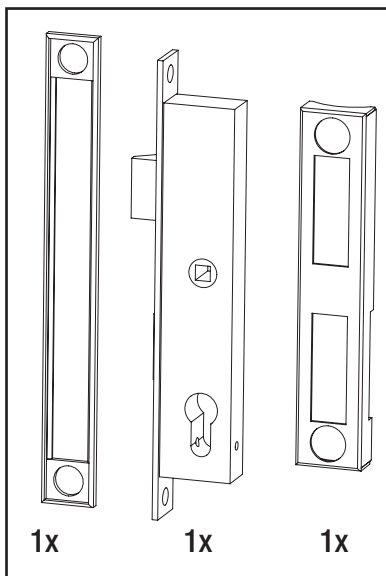
**Chaussee**



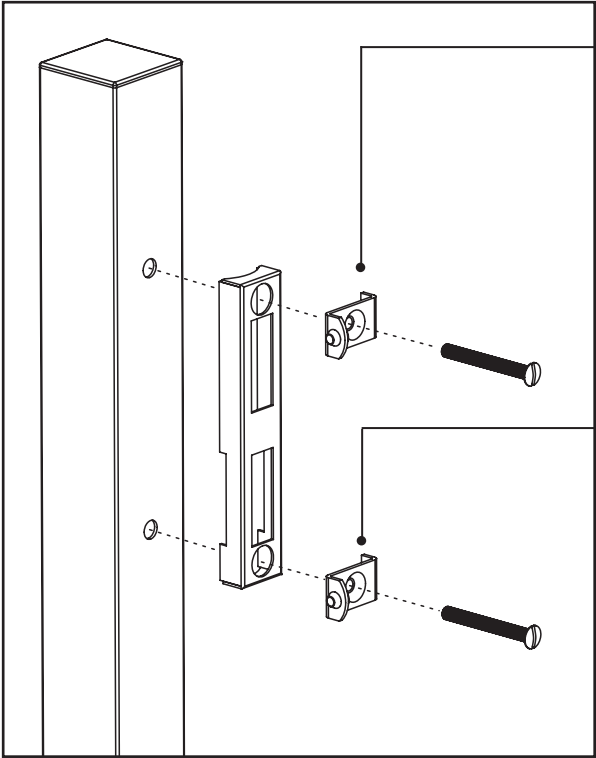
**Circle**



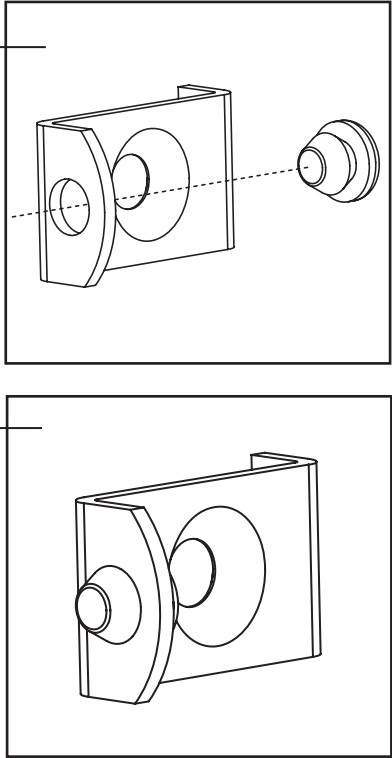
	<b>Chaussee</b>	<b>Circle</b>
<b>A (mm)</b>	965	965
<b>B (mm)</b>	1500/1700	1500/1700
<b>C (mm)</b>	840/1040	840/1040
<b>D (mm)</b>	880	880
<b>E (mm)</b>	1000/1200	1000/1200
<b>F (mm)</b>	60	60
<b>G (mm)</b>	35	35
<b>H (mm)</b>	50	50



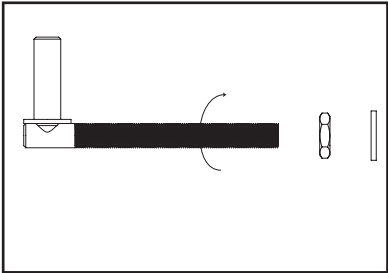
1.2



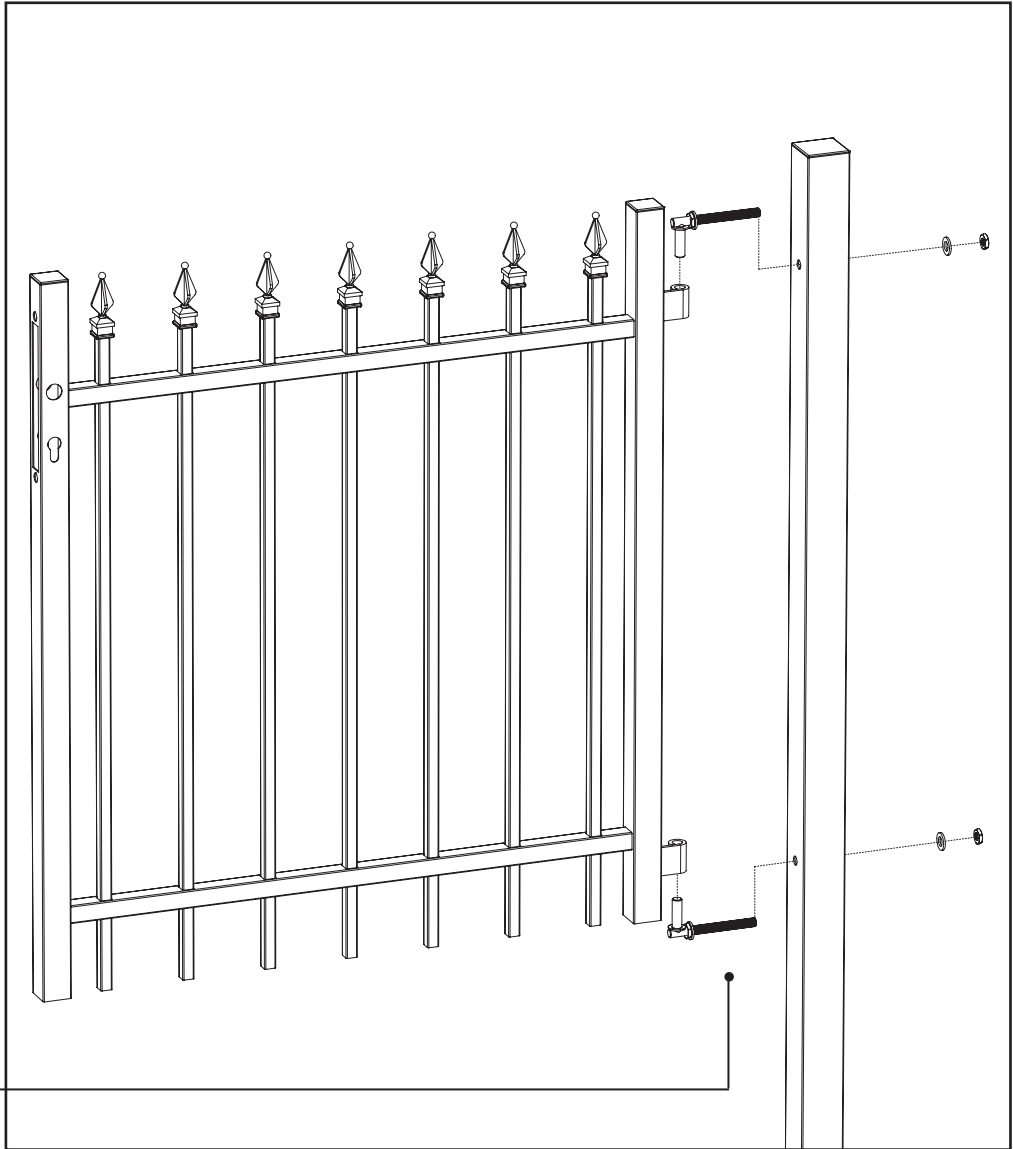
1.1



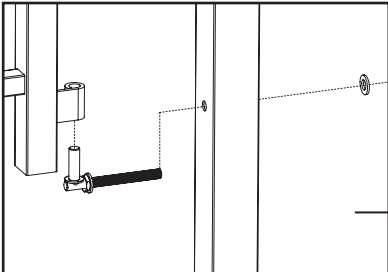
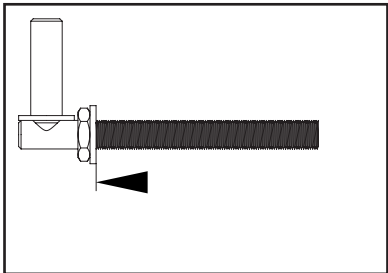
2.1



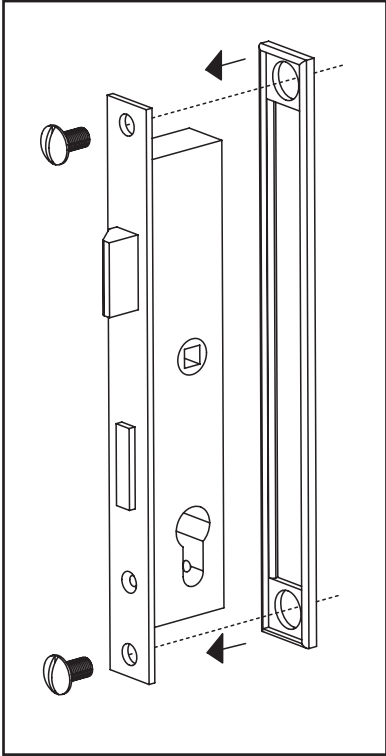
2.3



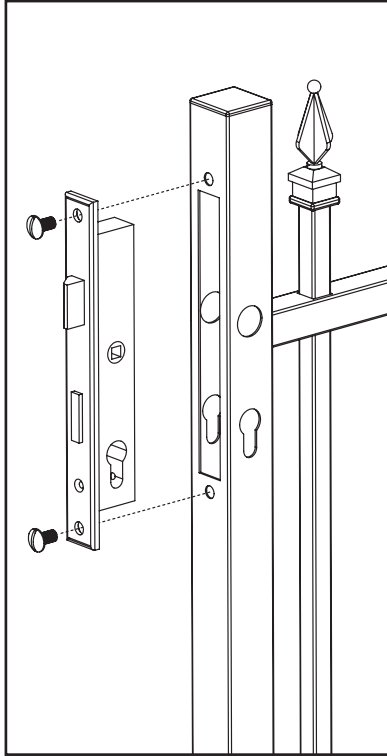
2.2



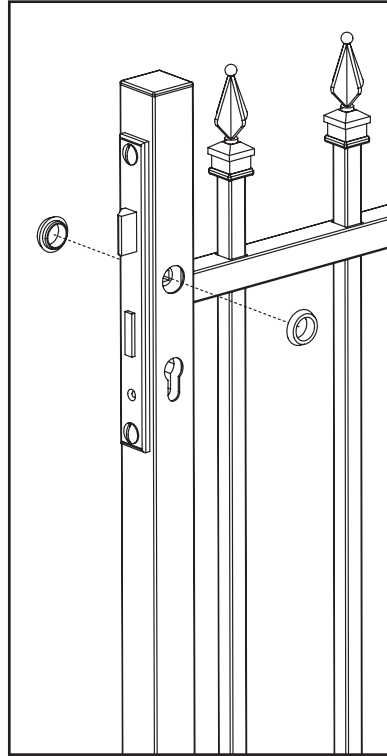
3.1



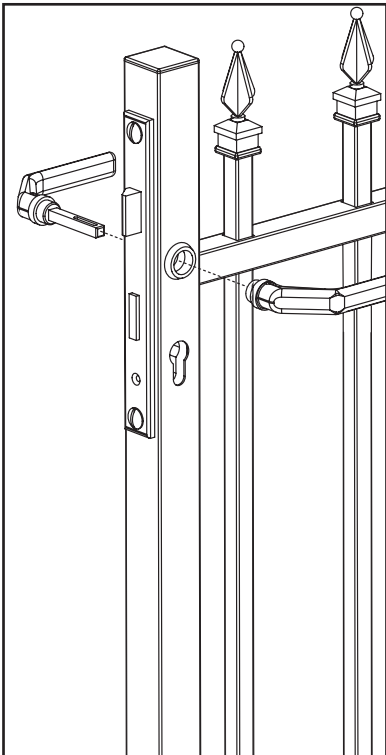
3.2



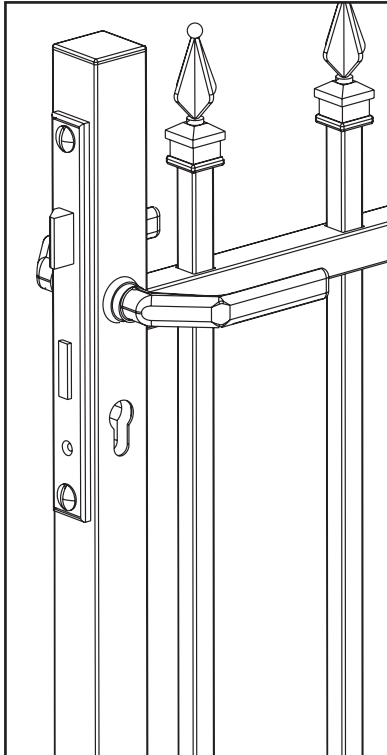
3.3



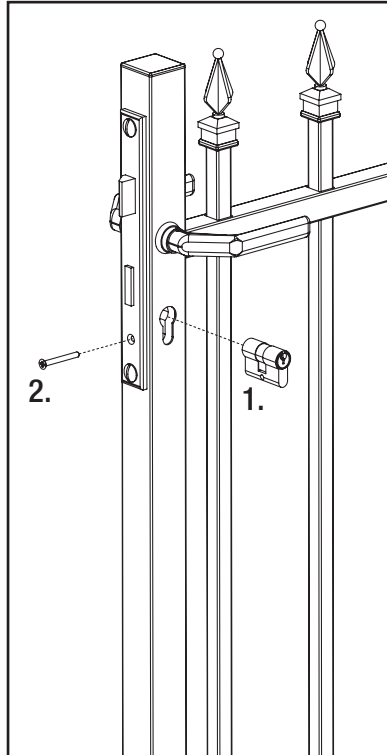
3.4

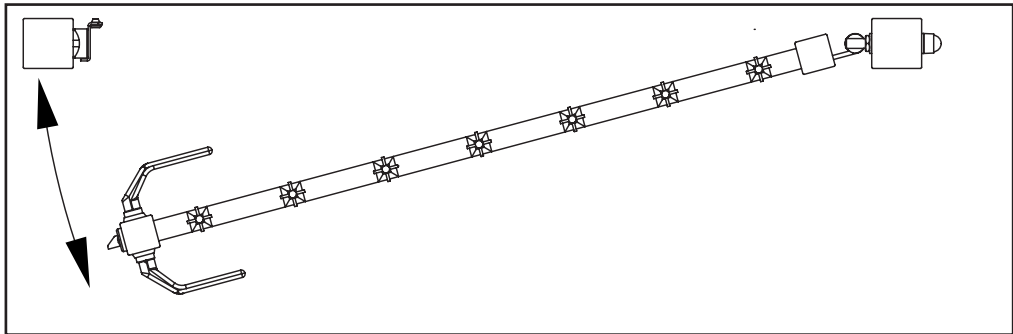
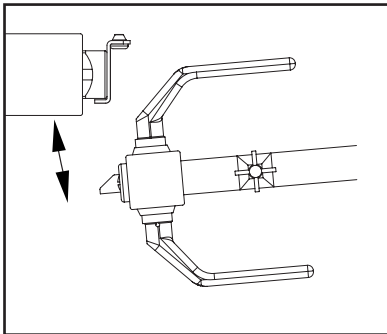
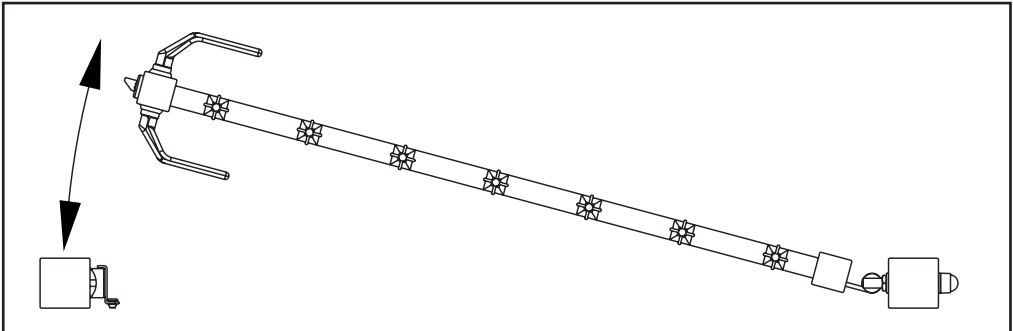
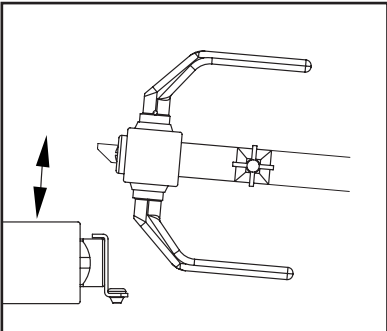


3.5

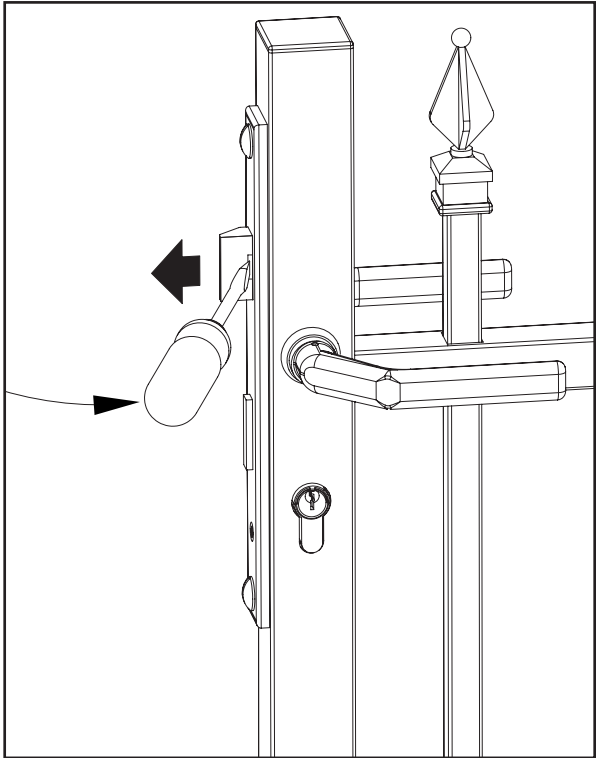


3.6

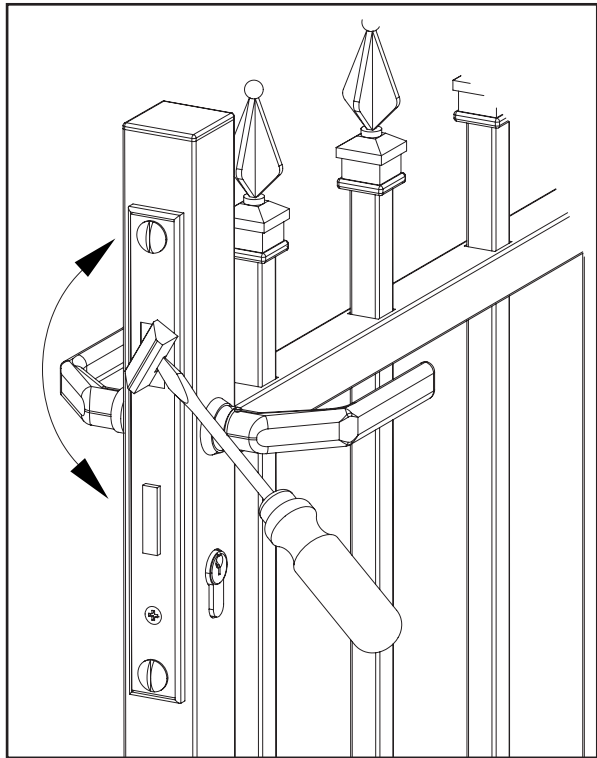




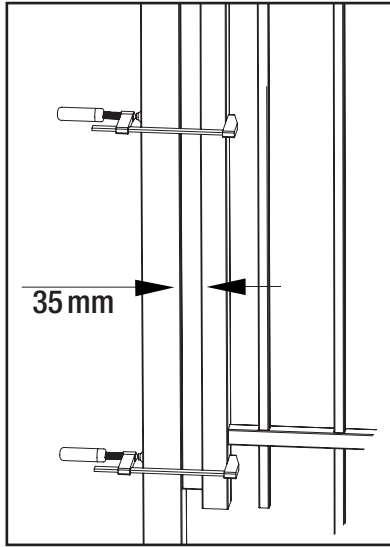
3.7



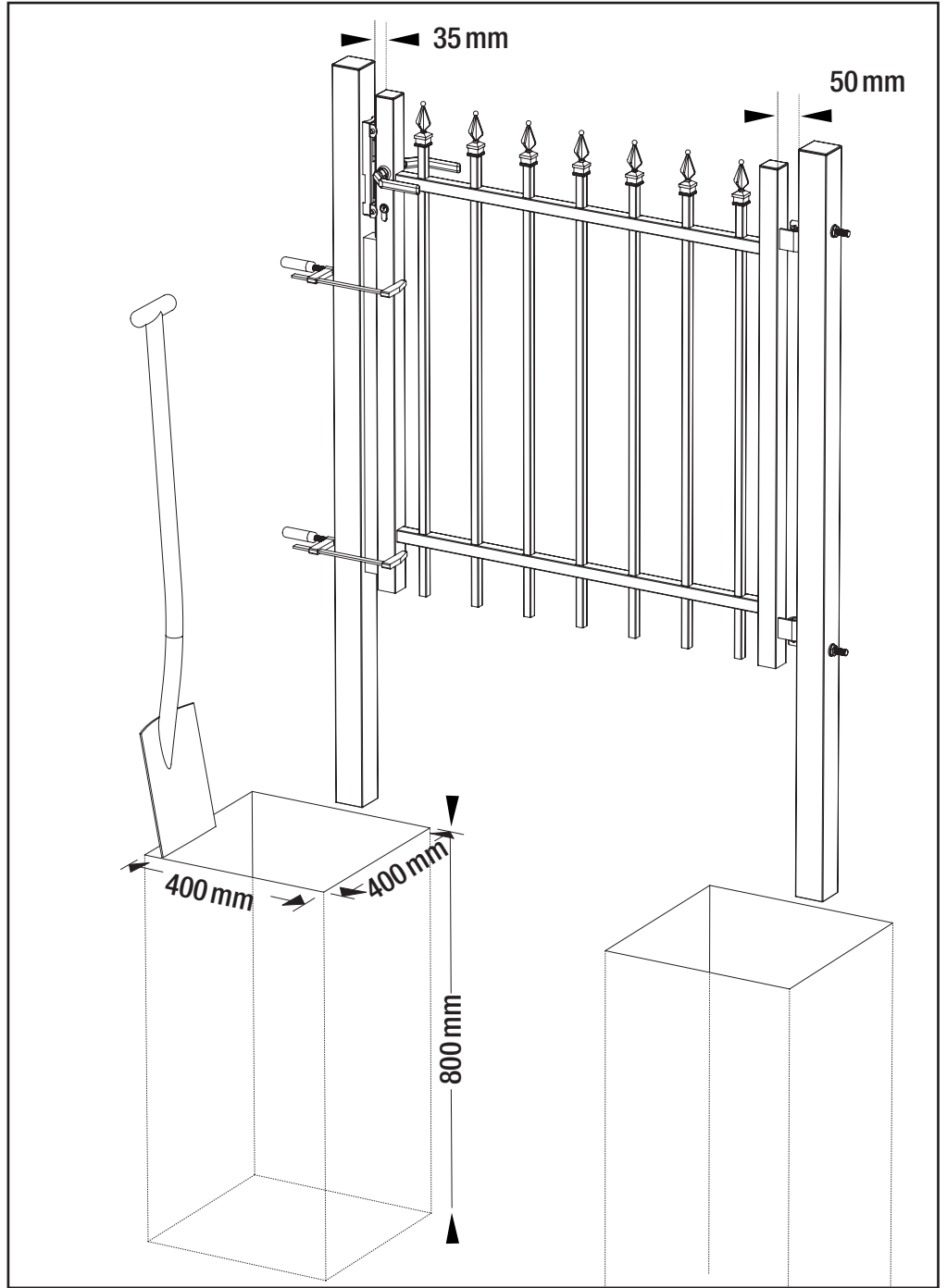
3.8



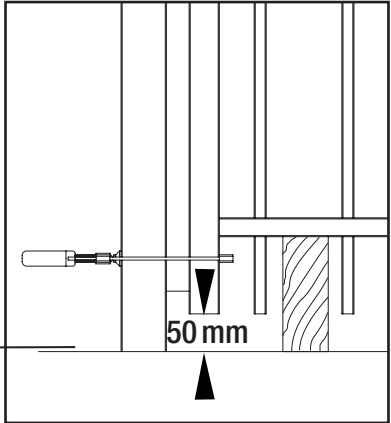
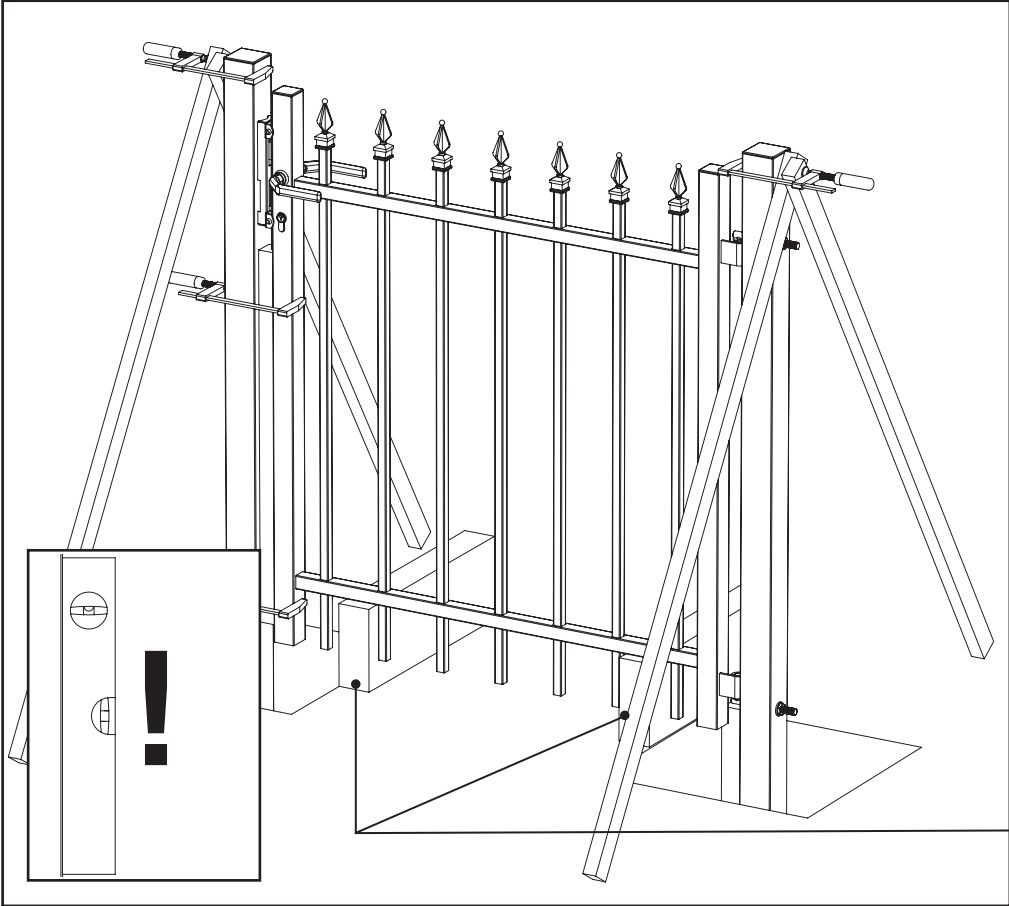
4.1



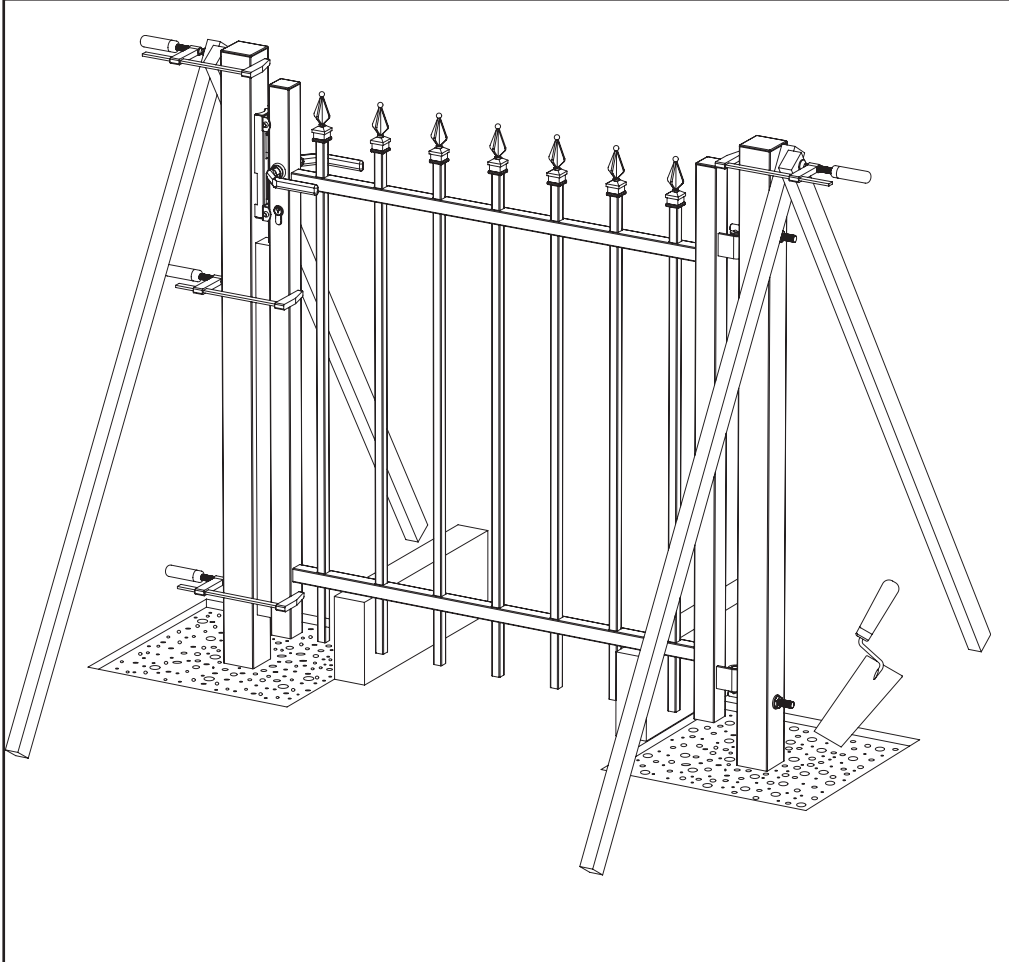
4.2



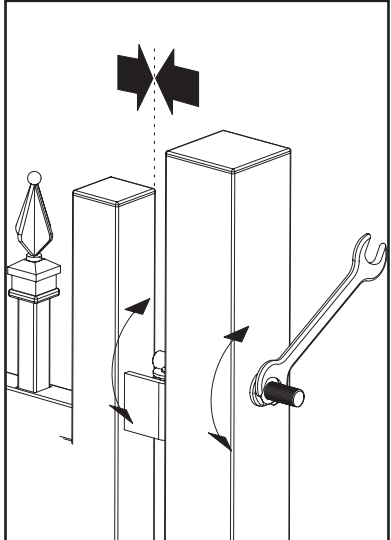
5.1

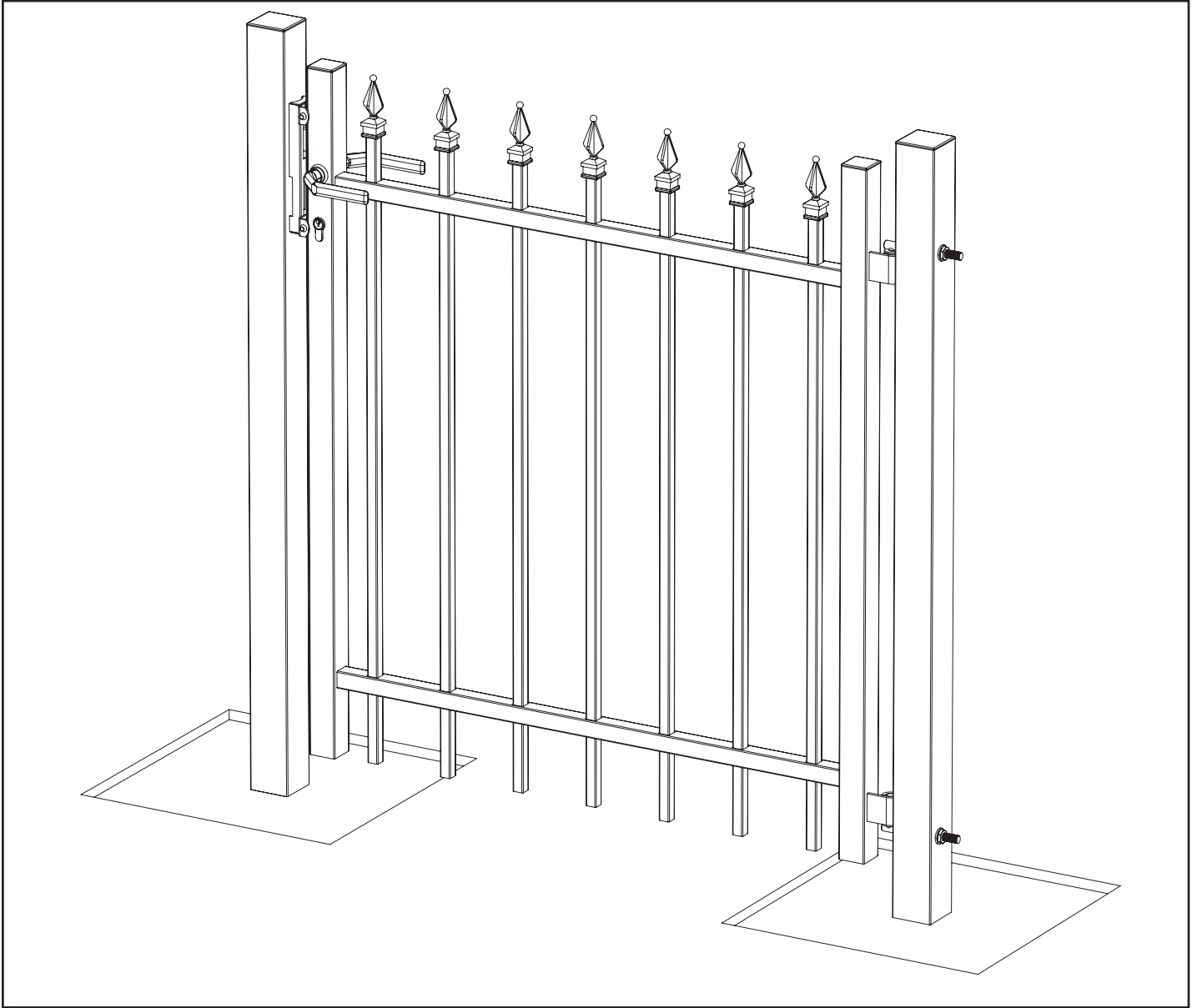


6.1

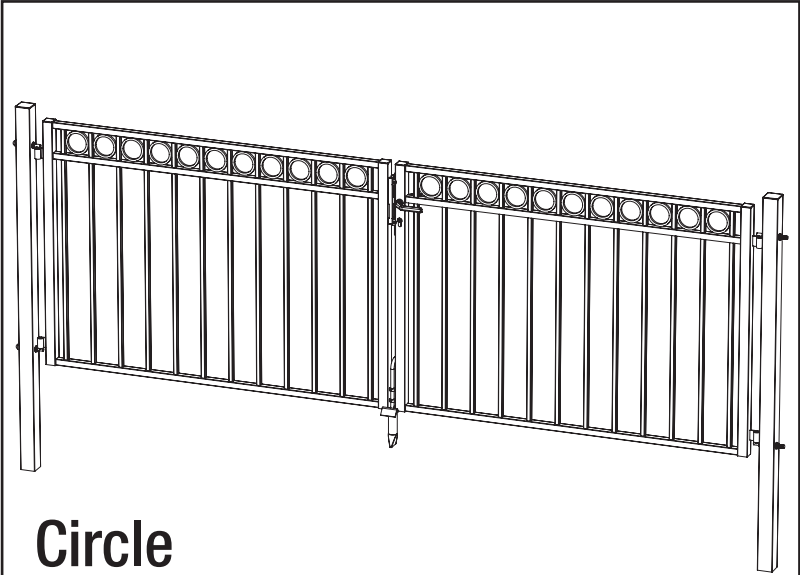
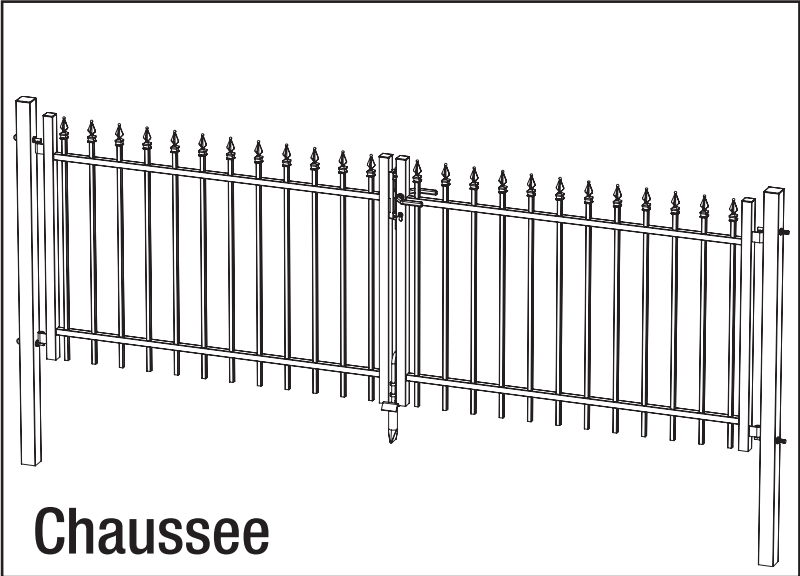


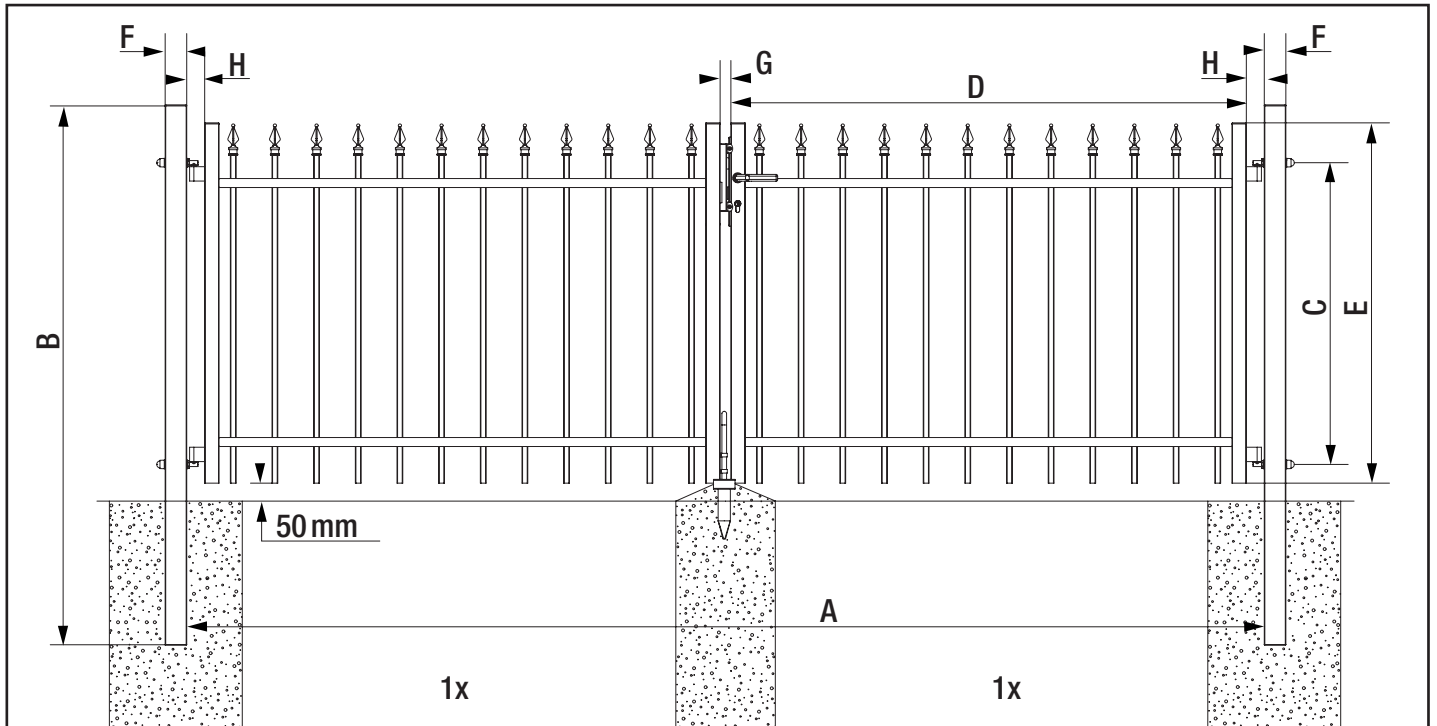
7.1



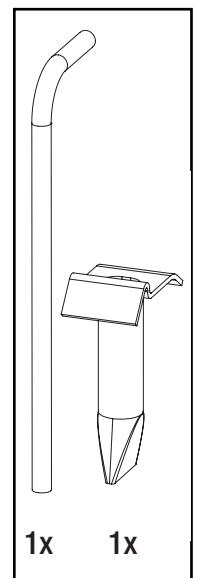
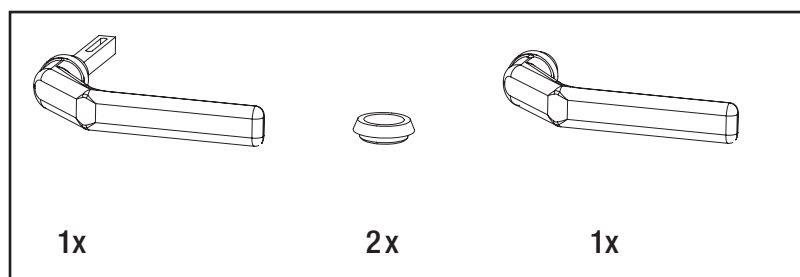
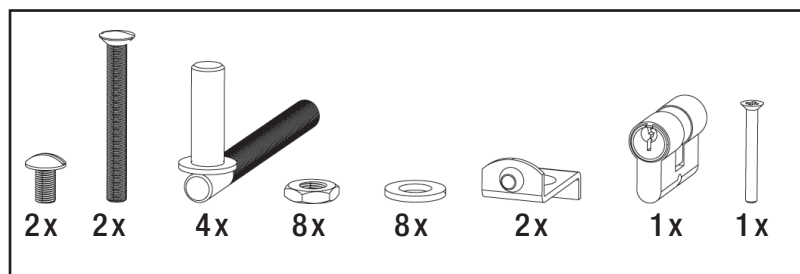
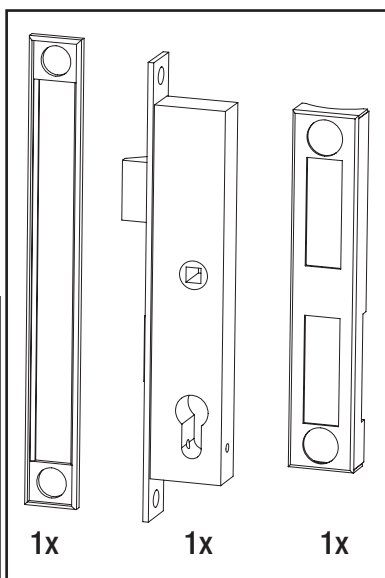




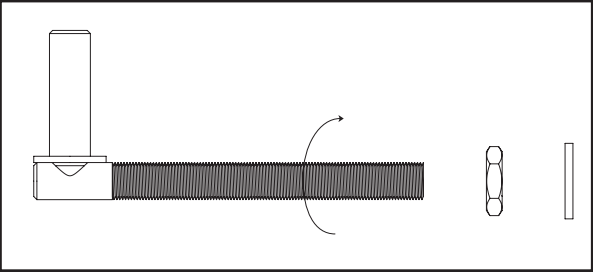




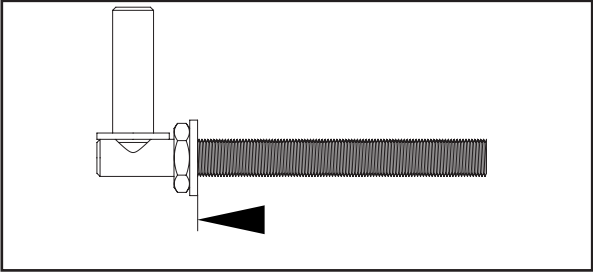
	<b>Chaussee</b>	<b>Circle</b>
<b>A (mm)</b>	3010	3010
<b>B (mm)</b>	1500/1700	1500/1700
<b>C (mm)</b>	840/1040	840/1040
<b>D (mm)</b>	1435	1435
<b>E (mm)</b>	1000/1200	1000/1200
<b>F (mm)</b>	89	89
<b>G (mm)</b>	35	35
<b>H (mm)</b>	50	50



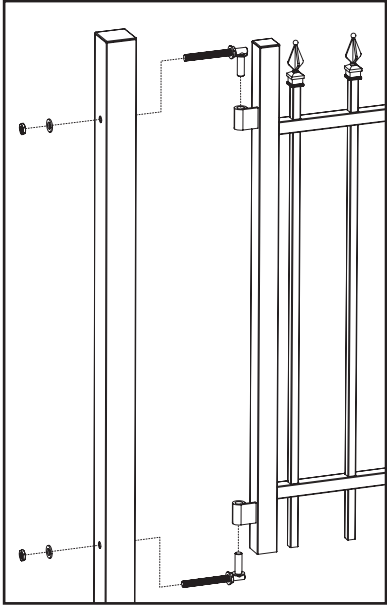
1.1



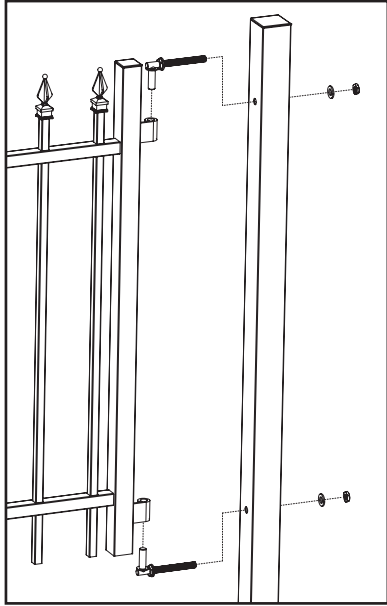
1.2



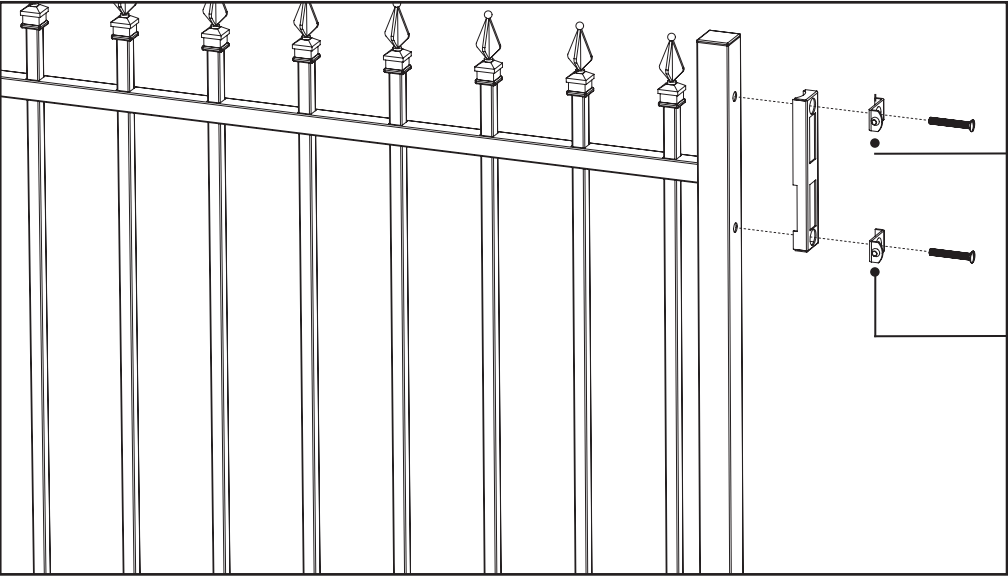
1.3



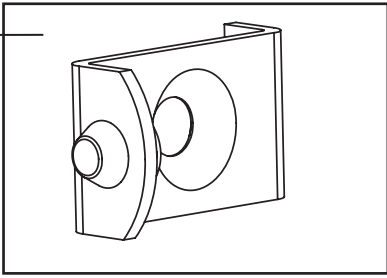
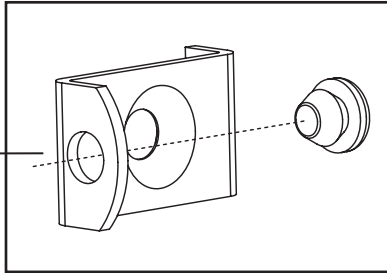
1.4



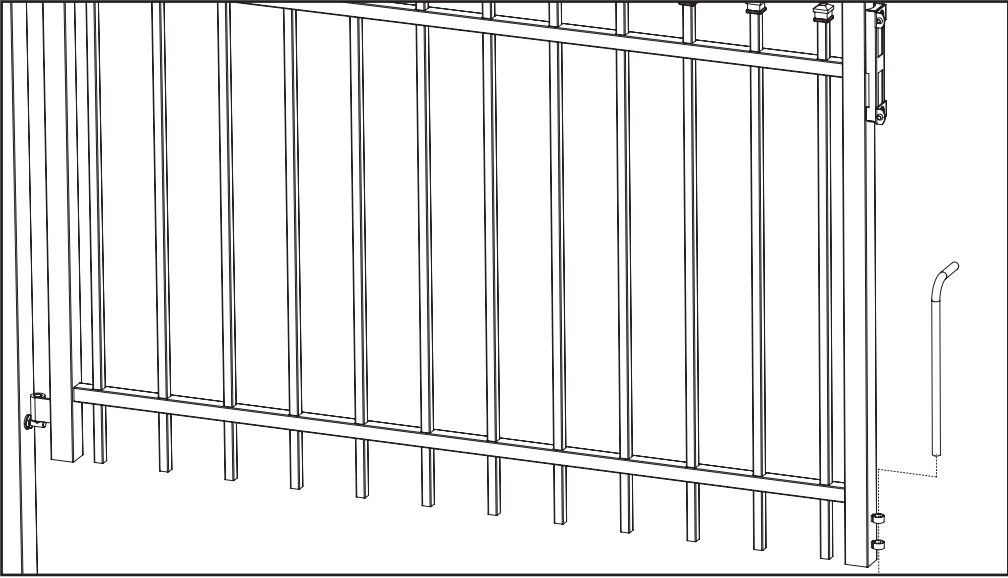
2.2



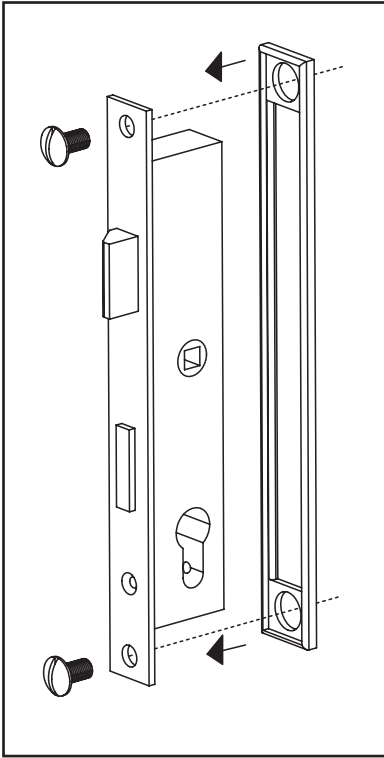
2.1



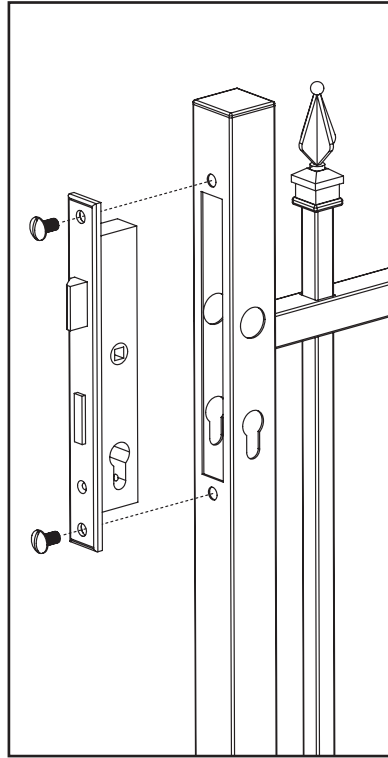
2.3



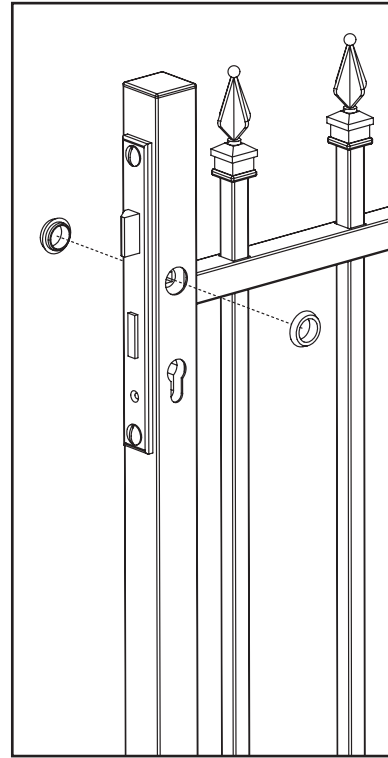
3.1



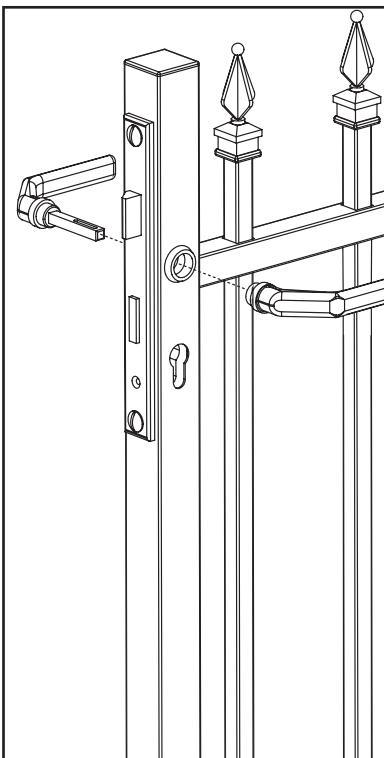
3.2



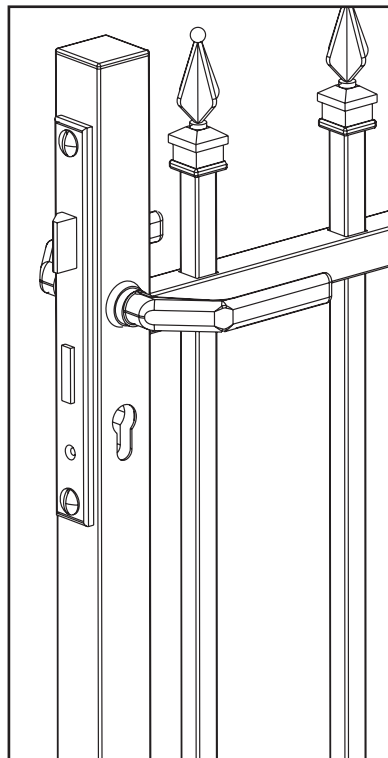
3.3



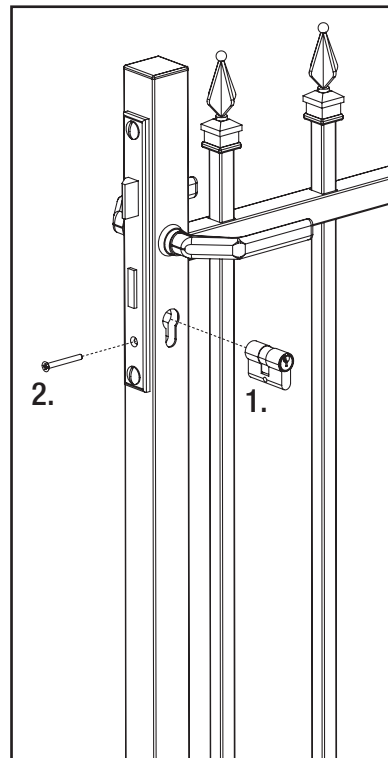
3.4

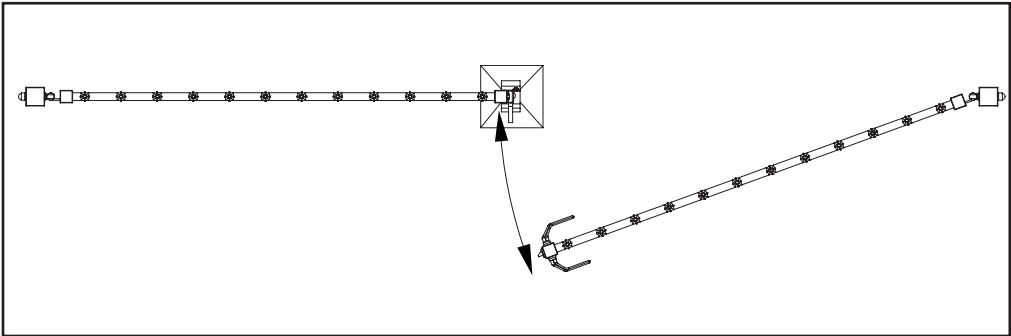
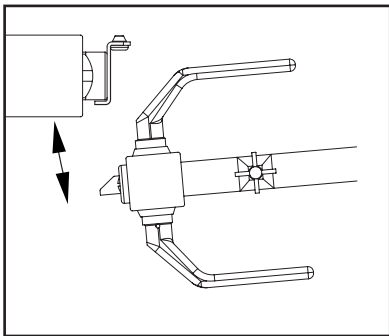
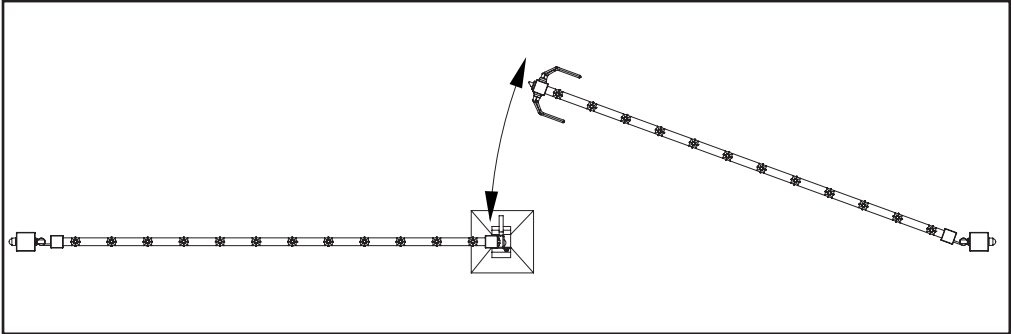
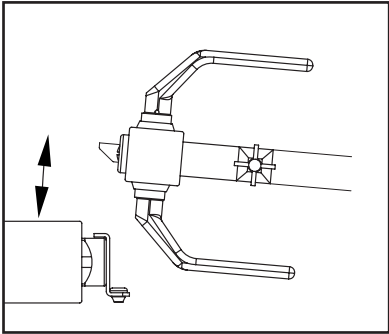


3.5

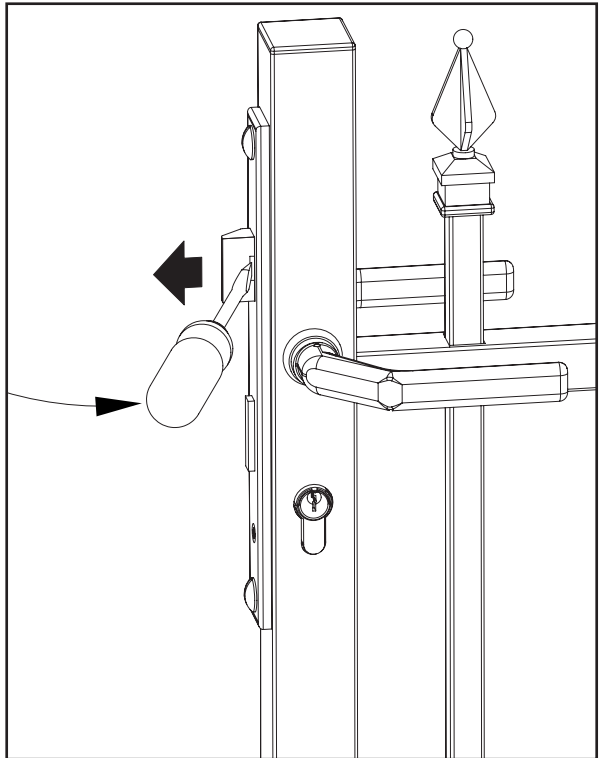


3.6

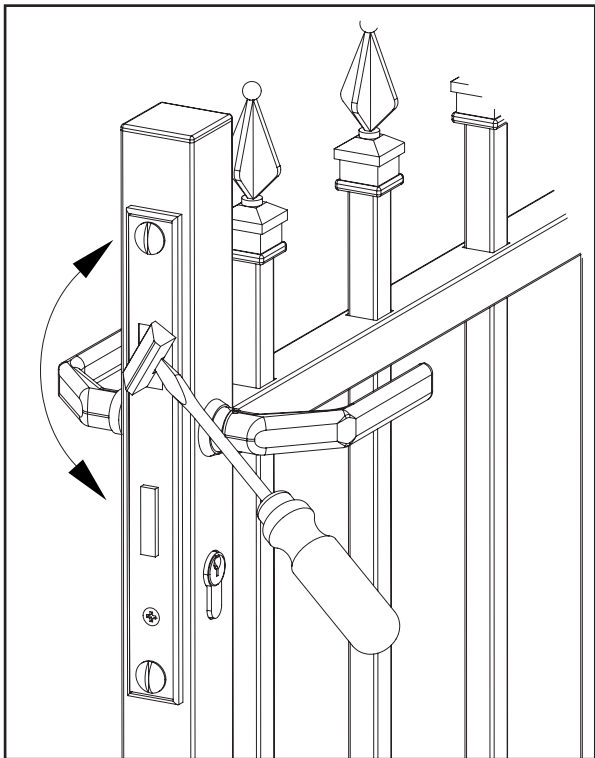




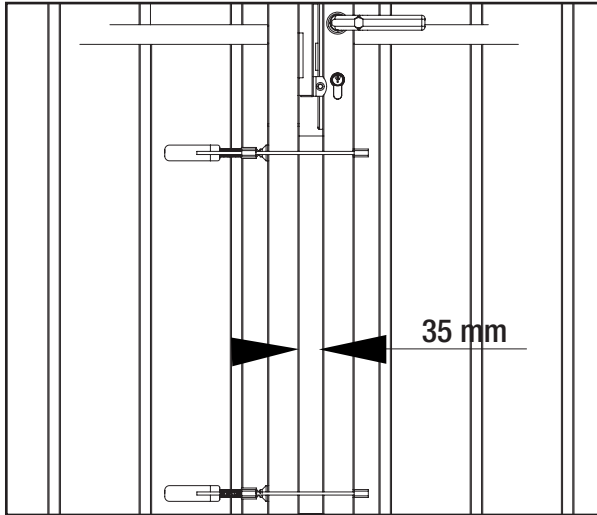
3.7



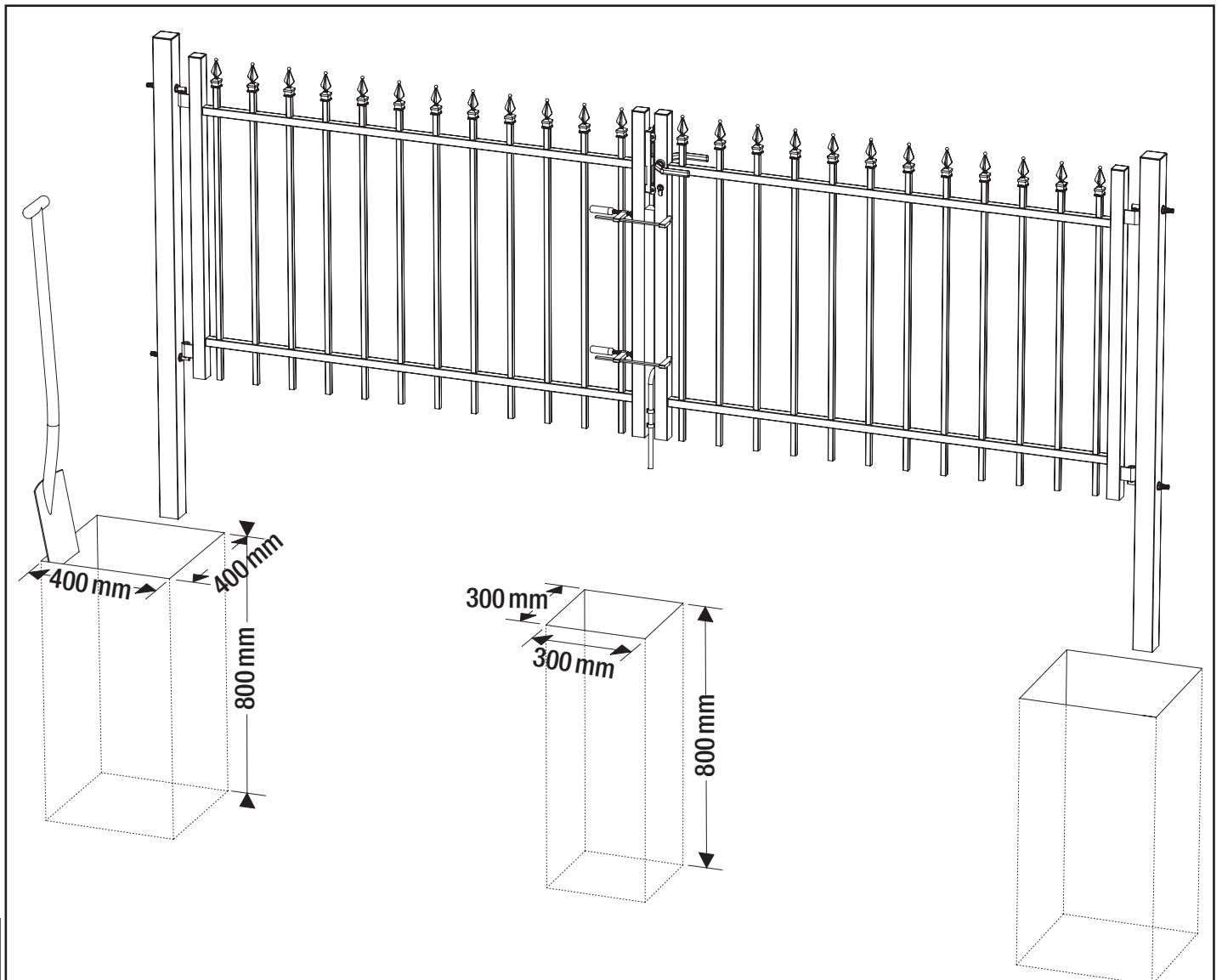
3.8



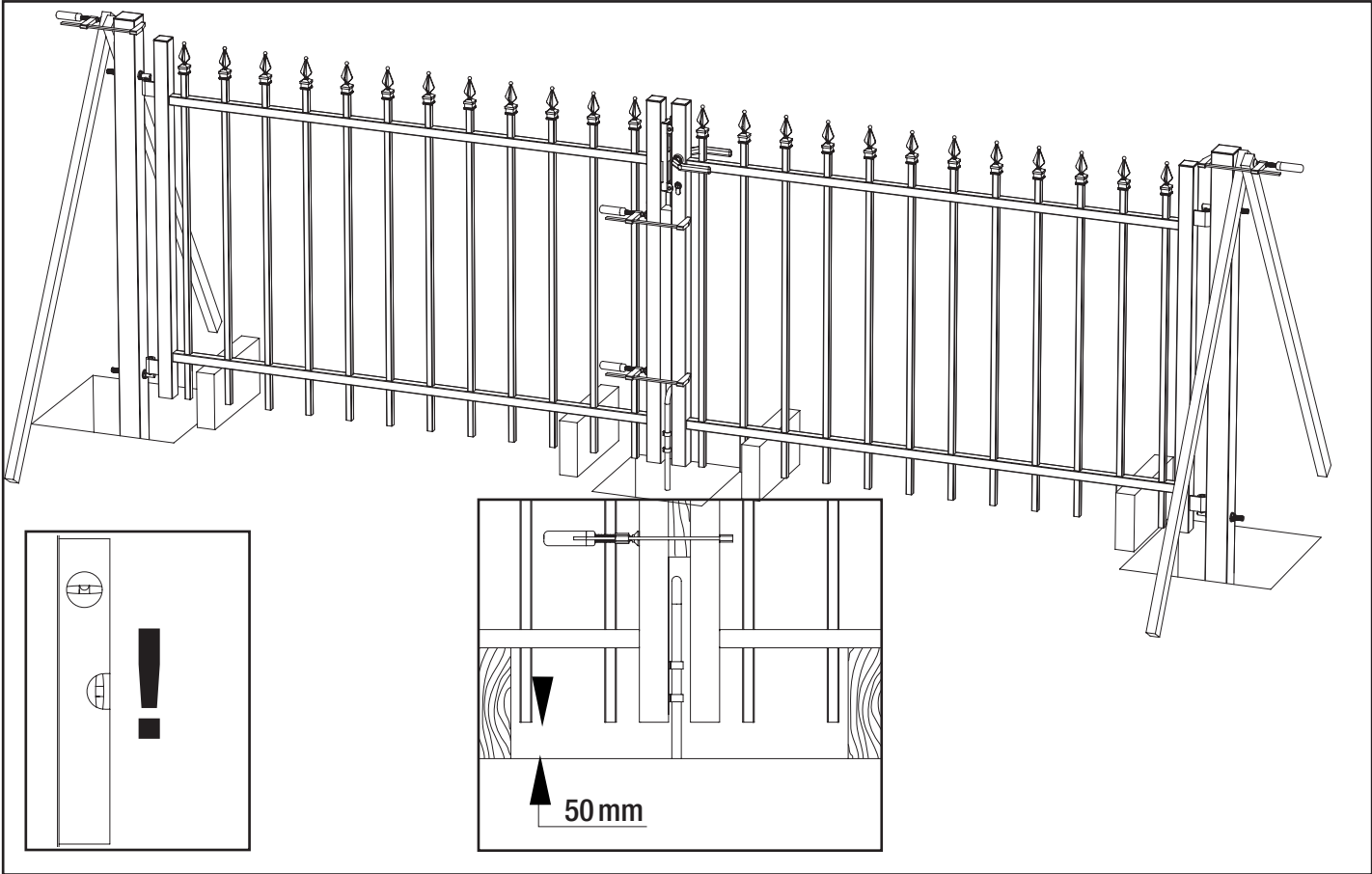
4.1



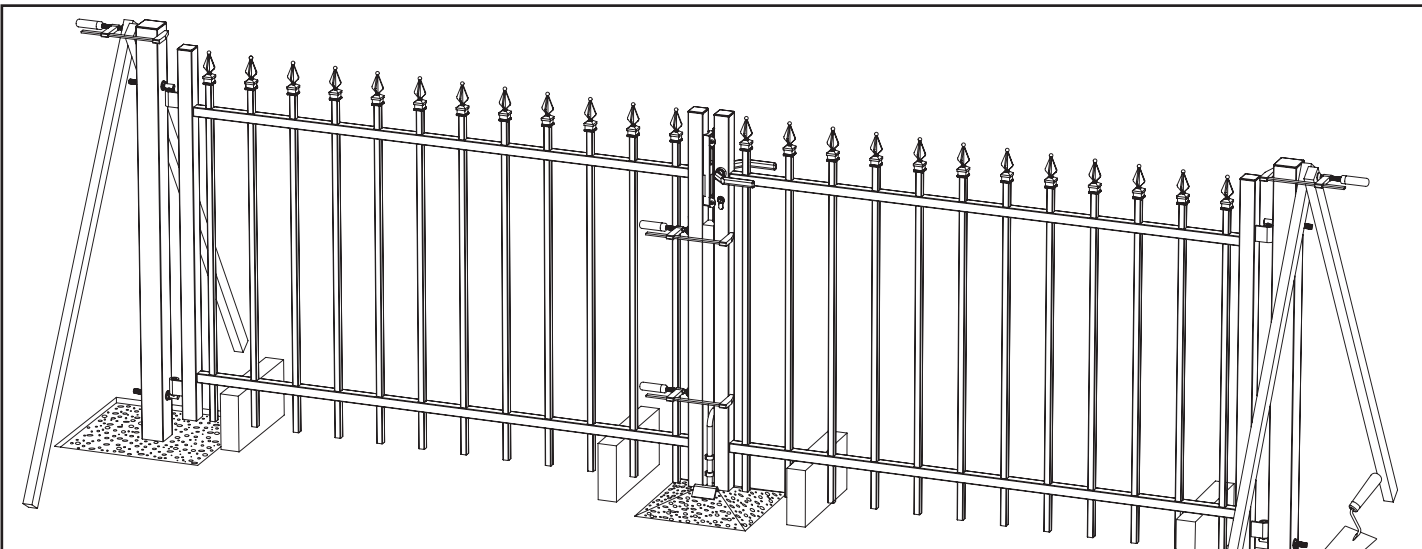
4.2



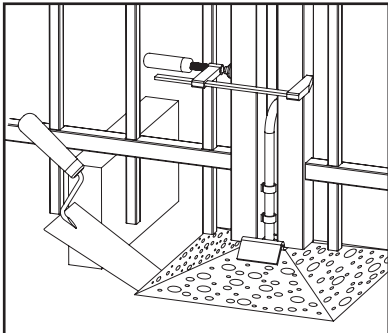
5.1



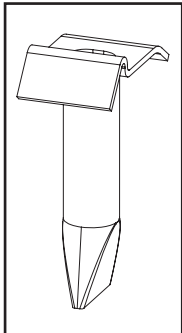
6.1



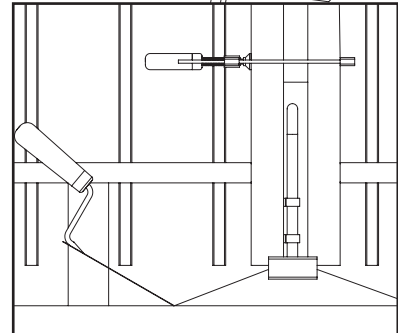
6.3



6.2



6.4



7.1

