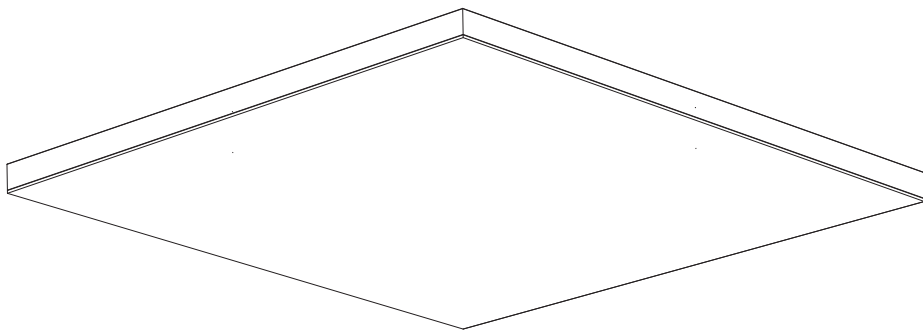
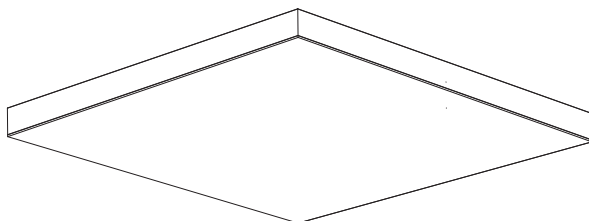
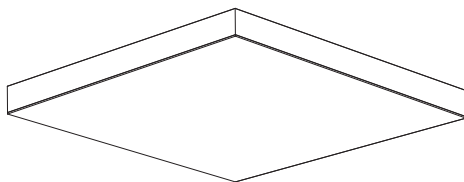
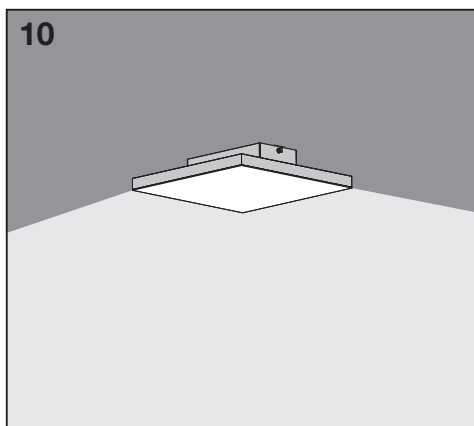
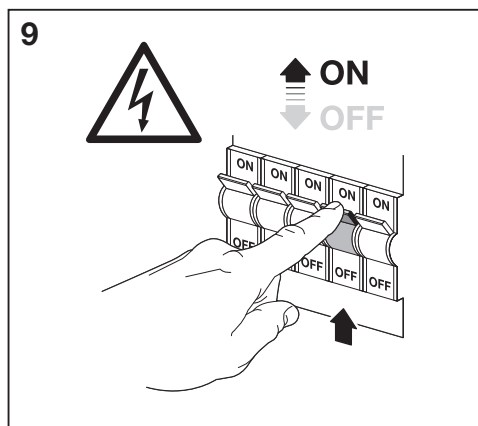
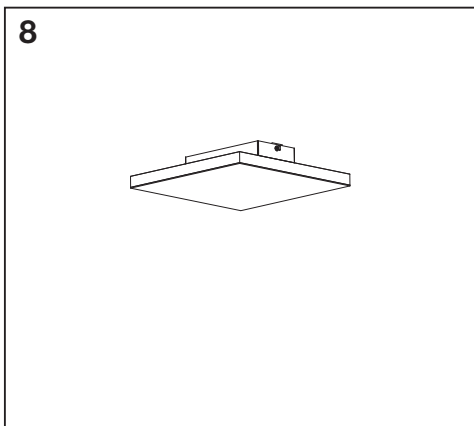
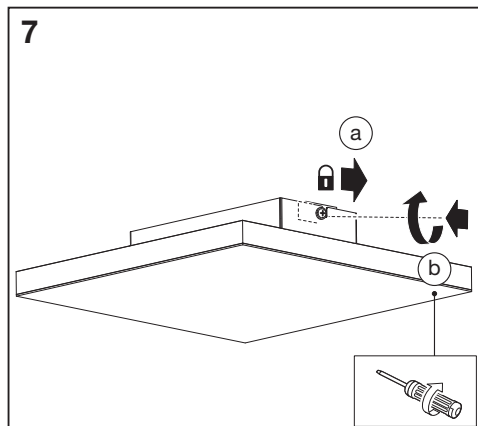
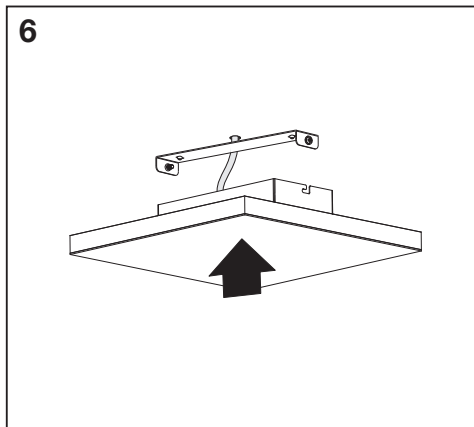
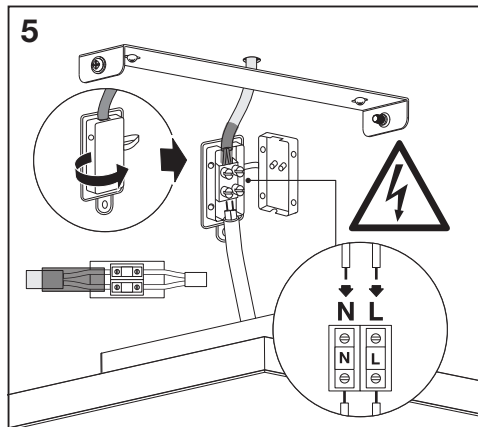




SMART⁺ PLANON FRAMELESS



	EAN	W	lm	K	⊖ (°C)	V~	mA	Hz	PF
SMART WIFI PLANON FRAMELESS 30X30TW	4058075484313	20	1600	3000-6500	-20...+40	220-240	90	50/60	>0.9
SMART WIFI PLANON FRAMELESS30X30RGBTW	4058075484351	20	1500	3000	-20...+40	220-240	90	50/60	>0.9
SMART WIFI PLANON FRAMELESS 45X45TW	4058075484375	28	2300	3000-6500	-20...+40	220-240	125	50/60	>0.9
SMART WIFI PLANON FRAMELESS 60X60TW	4058075484436	40	3400	3000-6500	-20...+40	220-240	180	50/60	>0.9
SMART WIFI PLANON FRAMELESS60X60RGBTW	4058075484474	40	3400	3000	-20...+40	220-240	185	50/60	>0.9





C10449057
G11103892
10.09.2020



LEDVANCE GmbH
Steinerne Furt 62
86167 Augsburg, Germany
www.ledvance.com