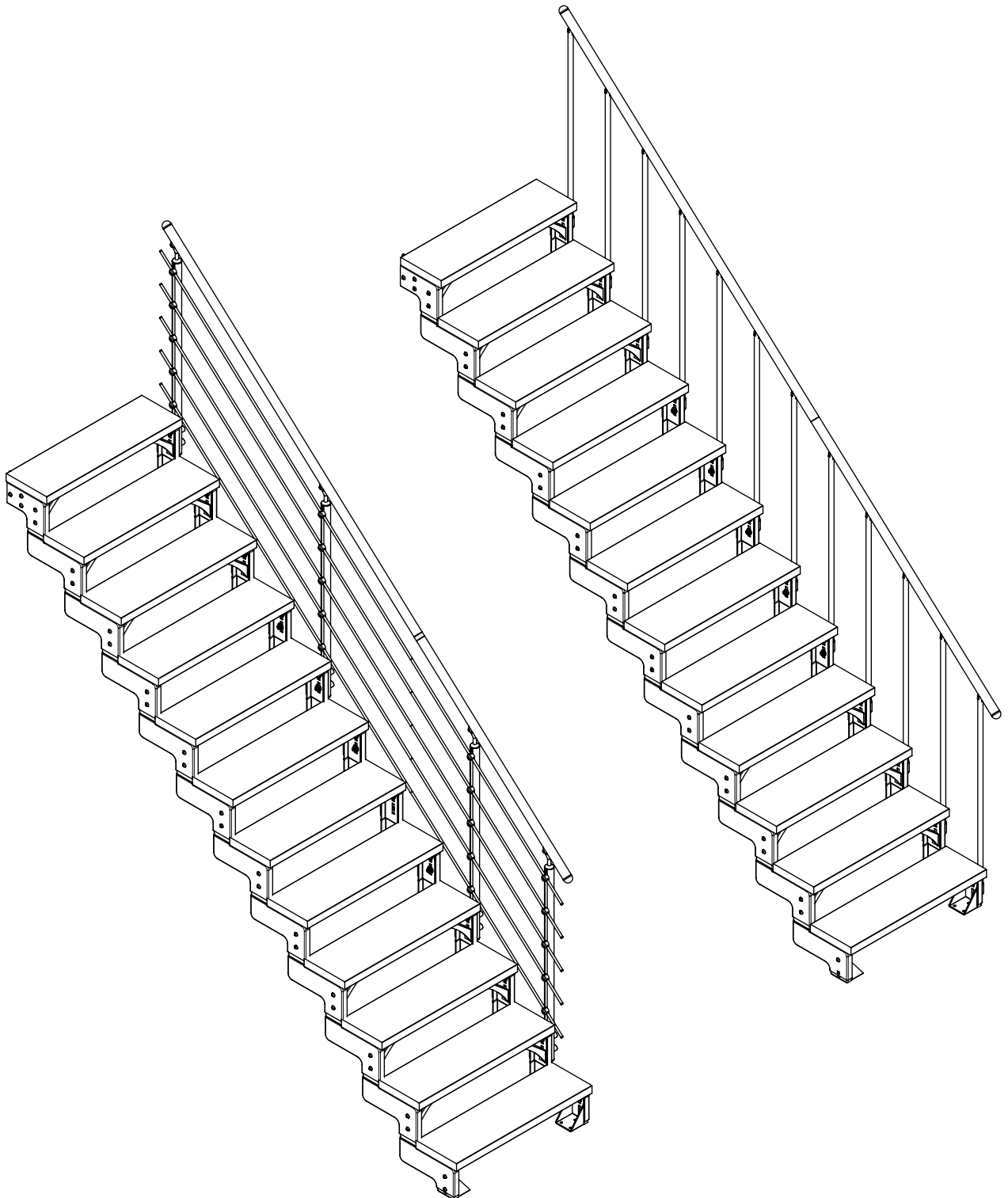


# GARDENTOP

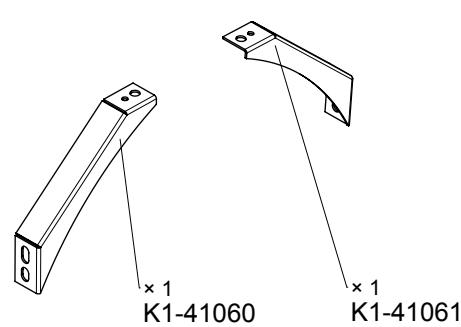
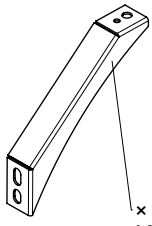


## Trimax



Montageanleitung  
Installation instruction




<b>68015</b>		<b>Starter-Set Start kit</b>			
<p>1 2</p> <p>x 1 K1-41931      x 1 K1-41930</p>		<p>7 8</p> <p>x 1 K1-41911      x 1 K1-41910</p>		<p>5</p> <p>x 2 K2-41900</p>	
<p>6</p> <p>x 2 K1-41940</p>		<p>40</p> <p>x 14 K3-02045 M10x25</p>		<p>41</p> <p>x 2 K3-04110 Ø10</p>	
<p>42</p> <p>x 8 K3-04198 Ø10</p>		<p>43</p> <p>x 14 K3-03051 M10</p>		<p>44</p> <p>x 12 K3-08001 Ø12 x 60</p>	
<p>45</p> <p>x 12 K3-06070 Ø10 x 60</p>		<p>59</p> <p>x 12 K3-06269 Ø6 x 35</p>		<p>63</p> <p>x 4 K3-05022 M8 x 20</p>	
<p>64</p> <p>x 12 K3-04010 Ø10,5</p>					

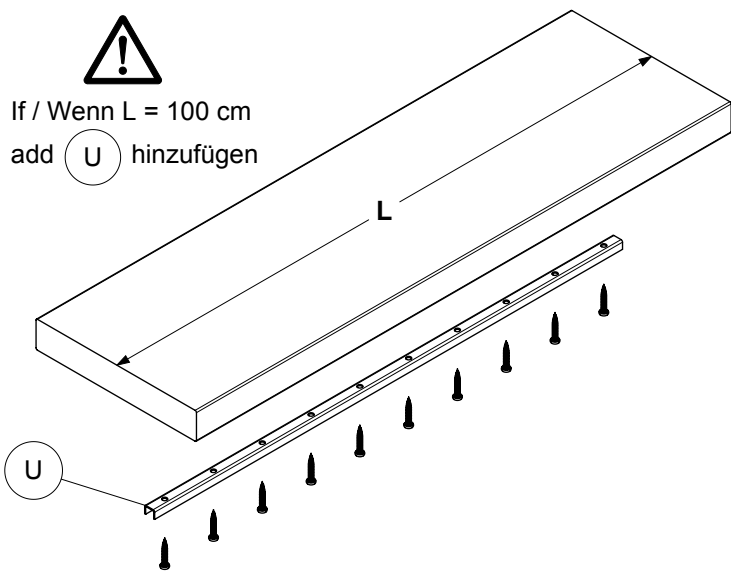
<b>68016</b>		<b>Ergänzungs-Set 1 step kit</b>			
<p>3 4</p> <p>x 1 K1-41921      x 1 K1-41920</p>		<p>40</p> <p>x 4 K3-02045 M10 x 25</p>		<p>42</p> <p>x 4 K3-04198 Ø10</p>	
		<p>43</p> <p>x 4 K3-03051 M10</p>			
		<p>59</p> <p>x 6 K3-06269 Ø6 x 35</p>			

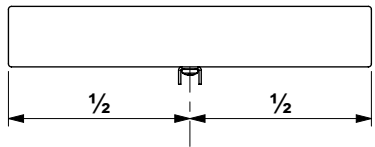
<p><b>68020</b></p>	<p><b>Stufen-Winkel</b> <i>Step support 1 step</i></p>	<div style="border: 1px solid black; padding: 10px; text-align: center;">  <p>If more than 6 steps: Add  <div style="display: flex; justify-content: center; gap: 10px;"> <span style="border: 1px solid black; border-radius: 50%; padding: 2px 5px;">9</span> + <span style="border: 1px solid black; border-radius: 50%; padding: 2px 5px;">10</span> </div> <p>Wenn mehr als 6 Stufen:  <div style="display: flex; justify-content: center; gap: 10px;"> <span style="border: 1px solid black; border-radius: 50%; padding: 2px 5px;">9</span> + <span style="border: 1px solid black; border-radius: 50%; padding: 2px 5px;">10</span> </div>                     hinzufügen</p> </p></div>
<div style="display: flex; gap: 20px;"> <div style="text-align: center;"> <p>9</p>  <p>x 1 K1-41060</p> </div> <div style="text-align: center;"> <p>10</p>  <p>x 1 K1-41061</p> </div> </div>	<div style="border: 1px solid black; padding: 5px;"> <p>59</p>  <p>x 1 K3-06269 Ø6 x 35</p> </div>	
<p>Max. 6 Satz   sets</p>		

<p><b>11</b></p>	<p><b>Trimax-Stufe</b> <i>Trimax step</i>     <b>80 cm / 100 cm</b></p>	<div style="border: 1px solid black; padding: 5px;"> <p>59</p>  <p>x 6 K3-06269 Ø6x35</p> </div>
		

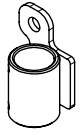
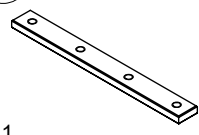
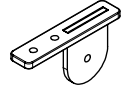



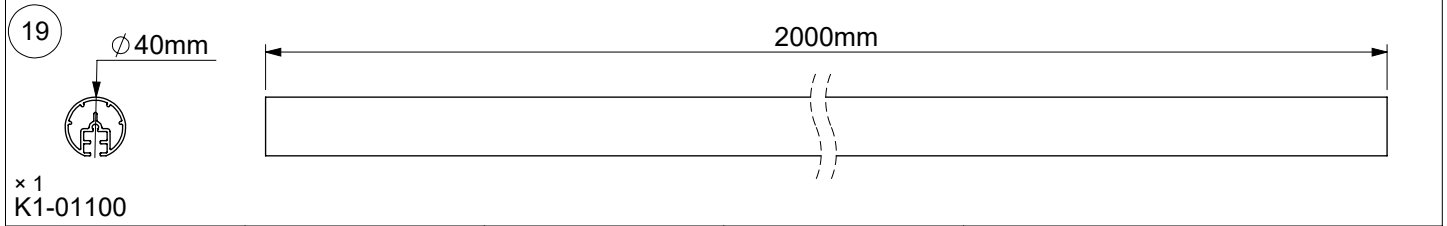
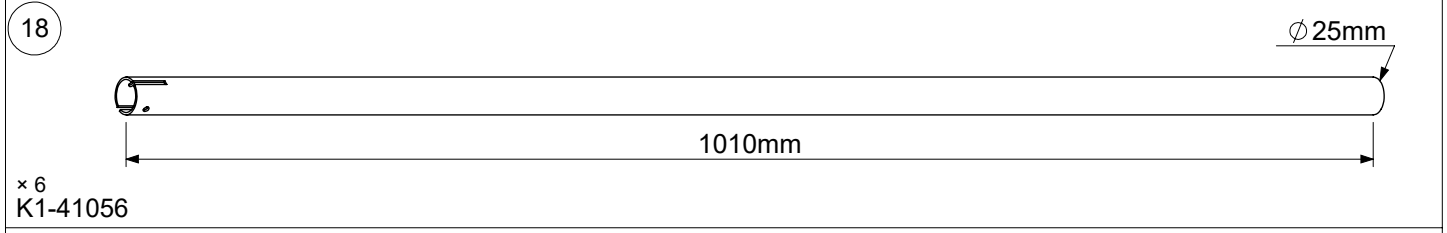
If / Wenn L = 100 cm  
add U hinzufügen


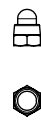







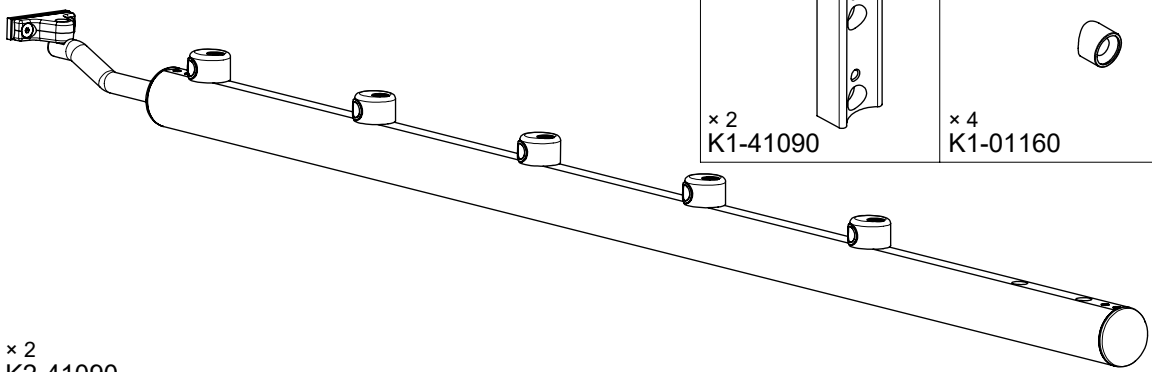


**68031** *Steiggeländer für 6 Stufen*  
*Standard banister for 6 steps*

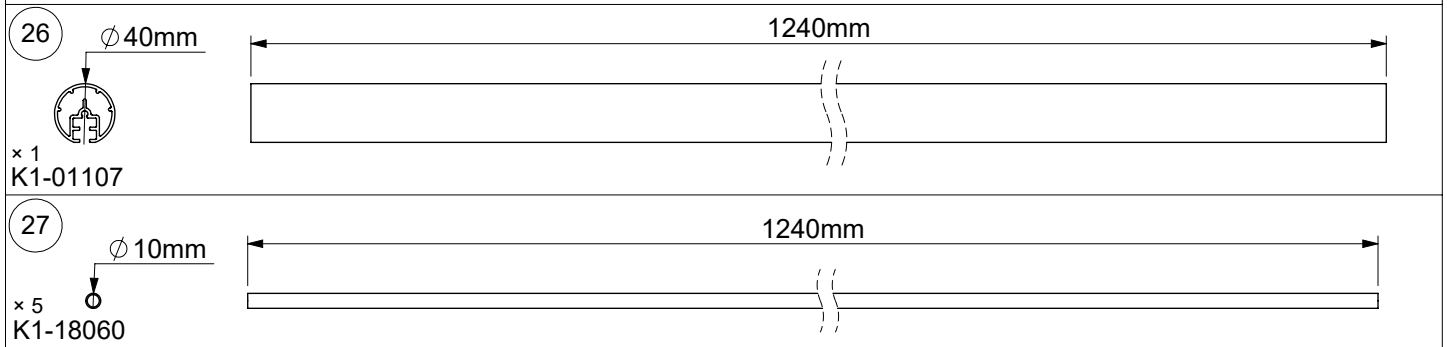
<p>14</p>  <p>× 6 K2-41052</p>	<p>15</p>  <p>× 1 K1-01221</p>	<p>16</p>  <p>× 6 K1-02130</p>	<p>17</p>  <p>× 2 K2-04040</p>	
---	---	---	---	--


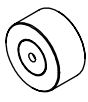
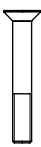


<p>46</p>  <p>× 6 K3-01034 M4 x 30</p>	<p>47</p>  <p>× 6 K3-03004 M4</p>	<p>48</p>  <p>× 12 K3-05006 M6 x 8</p>	<p>53</p>  <p>× 4 K3-05050 M5 x 12</p>
---	--	--	--

**68040** *Steiggeländer PROVA Starter-Set für 4 Stufen*  
*PROVA banister start for 4 steps*

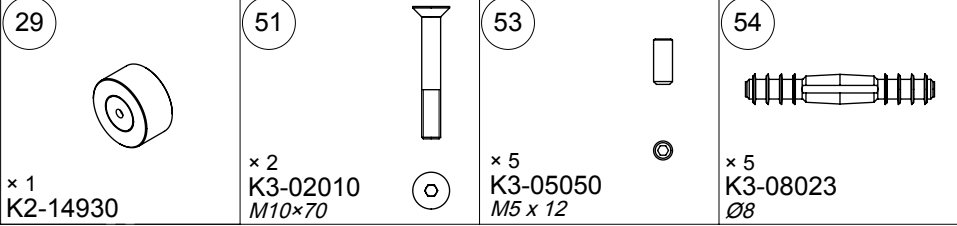
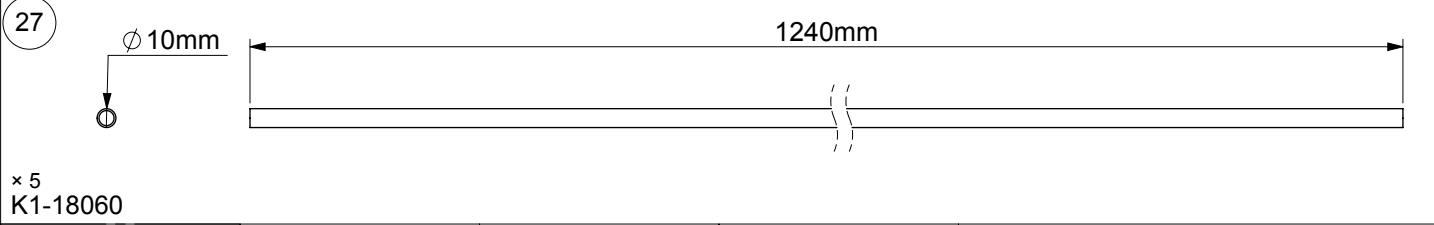
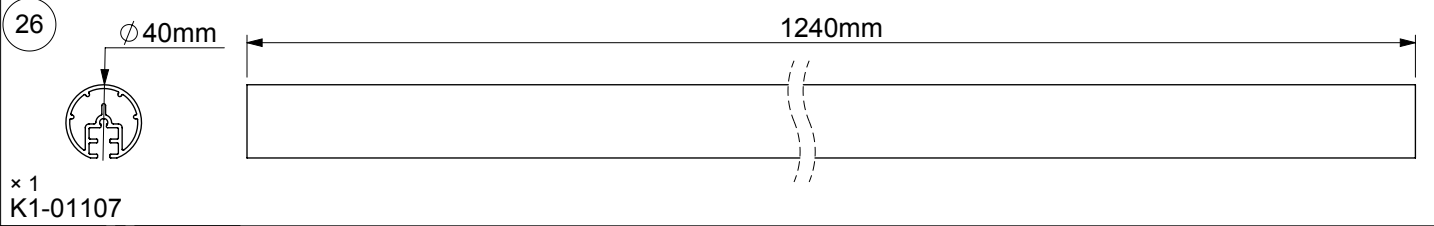
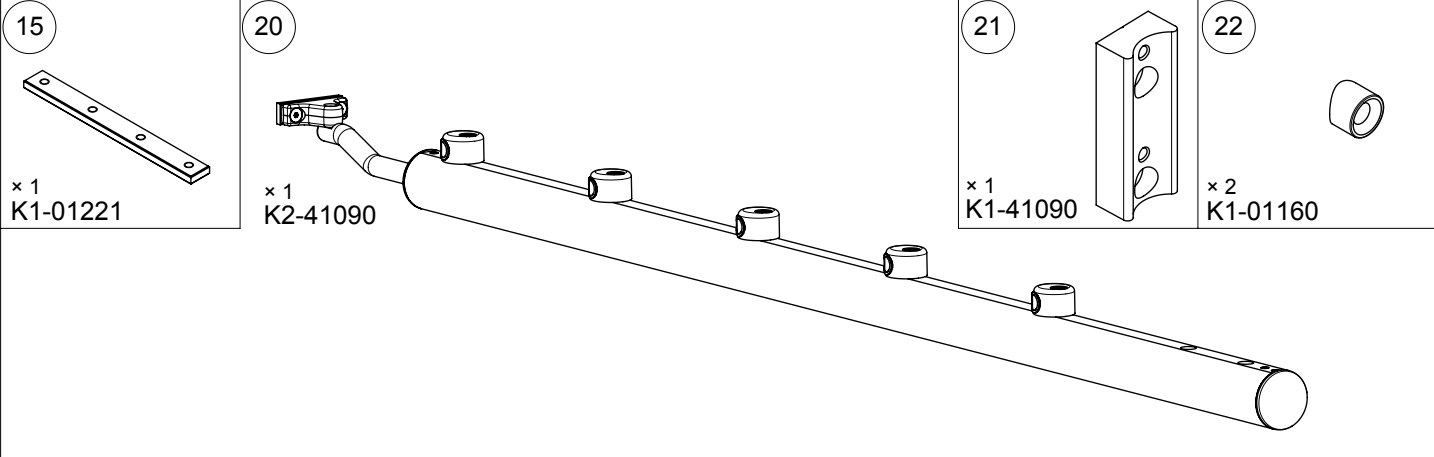
<p>17</p>  <p>× 2 K2-04040</p>	<p>20</p>  <p>× 2 K2-41090</p>	<p>21</p>  <p>× 2 K1-41090</p>	<p>22</p>  <p>× 4 K1-01160</p>
---	--	---	---

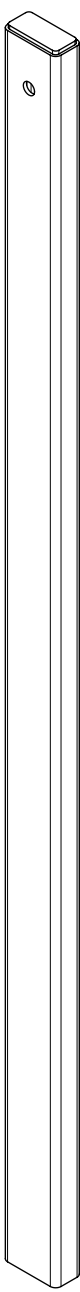
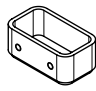
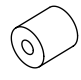


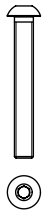





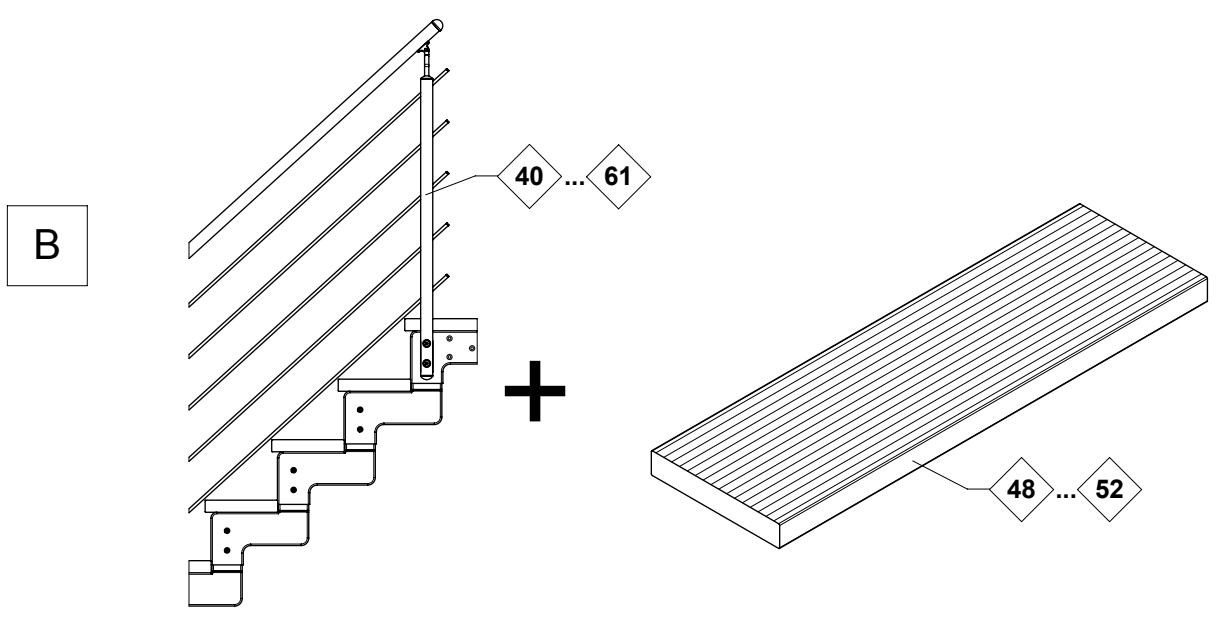
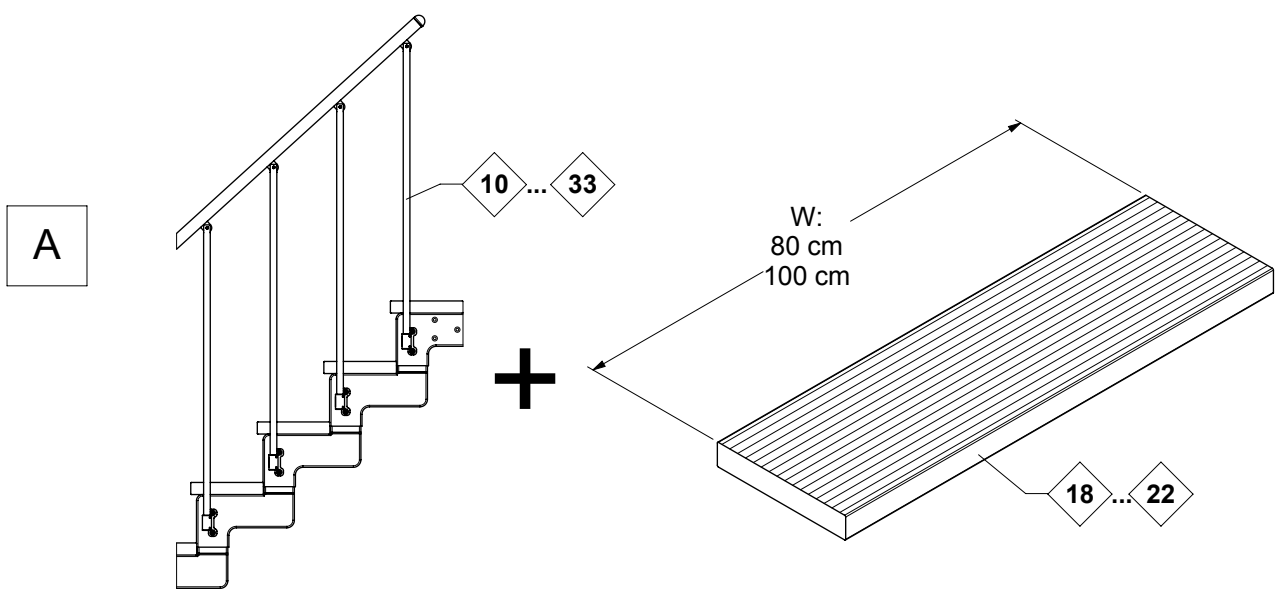
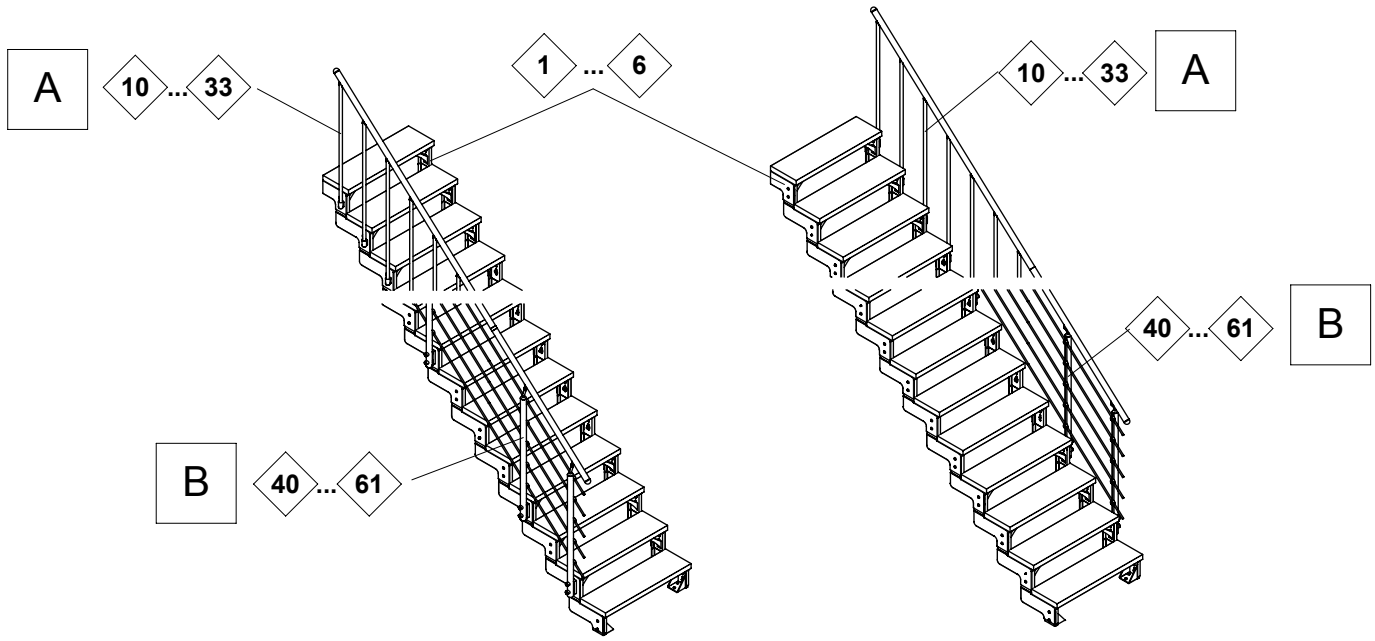
<p>28</p>  <p>× 10 K1-01010</p>	<p>29</p>  <p>× 1 K2-14930</p>	<p>51</p>  <p>× 4 K3-02010 M10 x 70</p>	
--	---	--	--

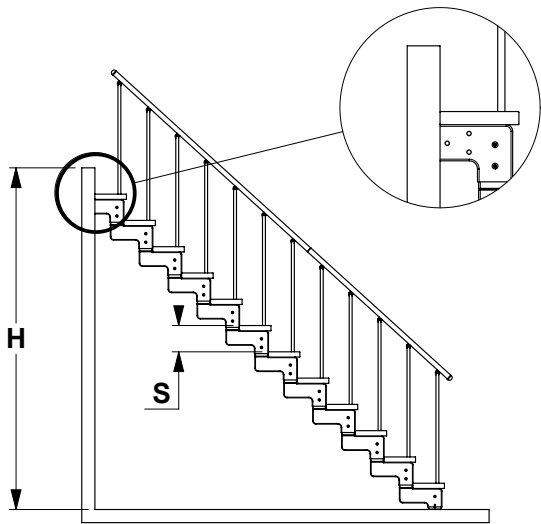
**68041**

**Steiggeländer PROVA Ergänzungs-Set für 4 Stufen**  
**PROVA banister extension for 4 steps**

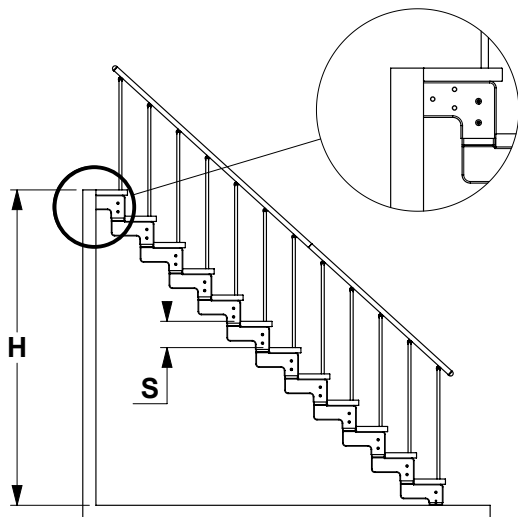


<b>68098</b>		<i>Unterstützung Support</i>			<b>OPTION</b>	
<p>(24) </p> <p>× 1 K1-41950</p>	<p>(26) </p> <p>× 1 K1-41955</p>	<p>(27) </p> <p>× 1 K1-41956</p>	<p>(41) </p> <p>× 1 K3-04110 Ø10</p>	<p>(43) </p> <p>× 1 K3-03051 M10</p>	<p>(52) </p> <p>× 1 K3-02375 M10 x 75</p>	
	<p>(53) </p> <p>× 2 K3-05007 M5 x 5</p>	<p>(54) </p> <p>× 1 K3-08002 Ø8 x 40</p>	<p>(55) </p> <p>× 1 K3-06032 Ø6 x 60</p>			

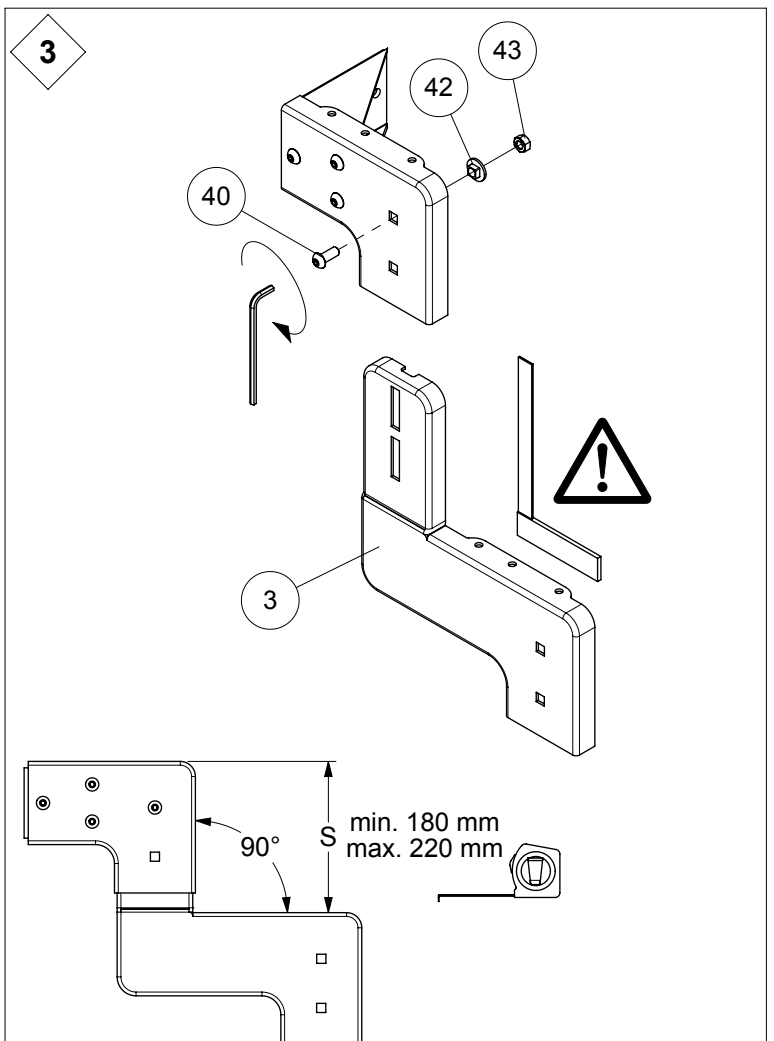
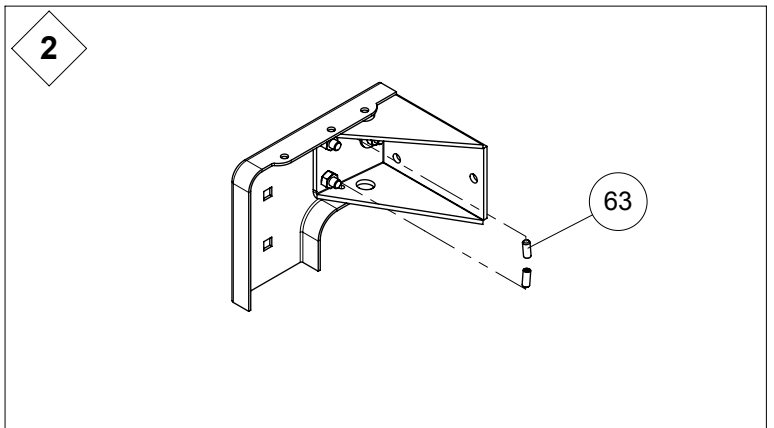
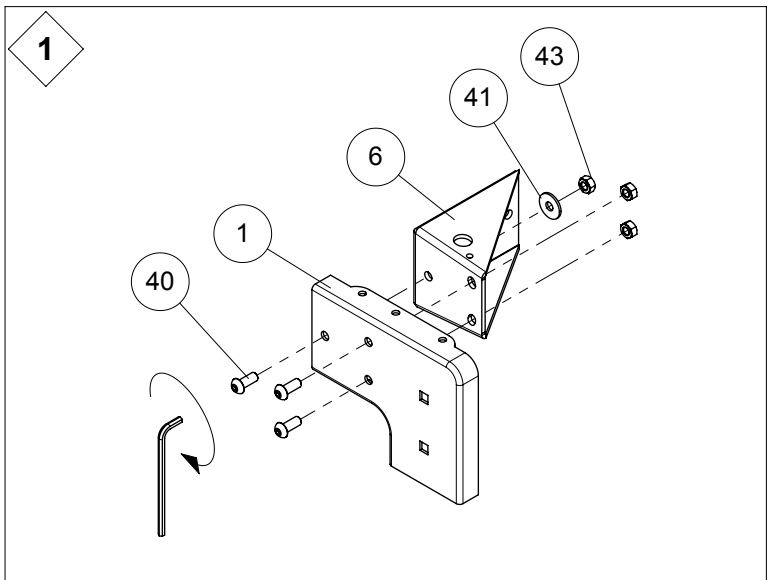




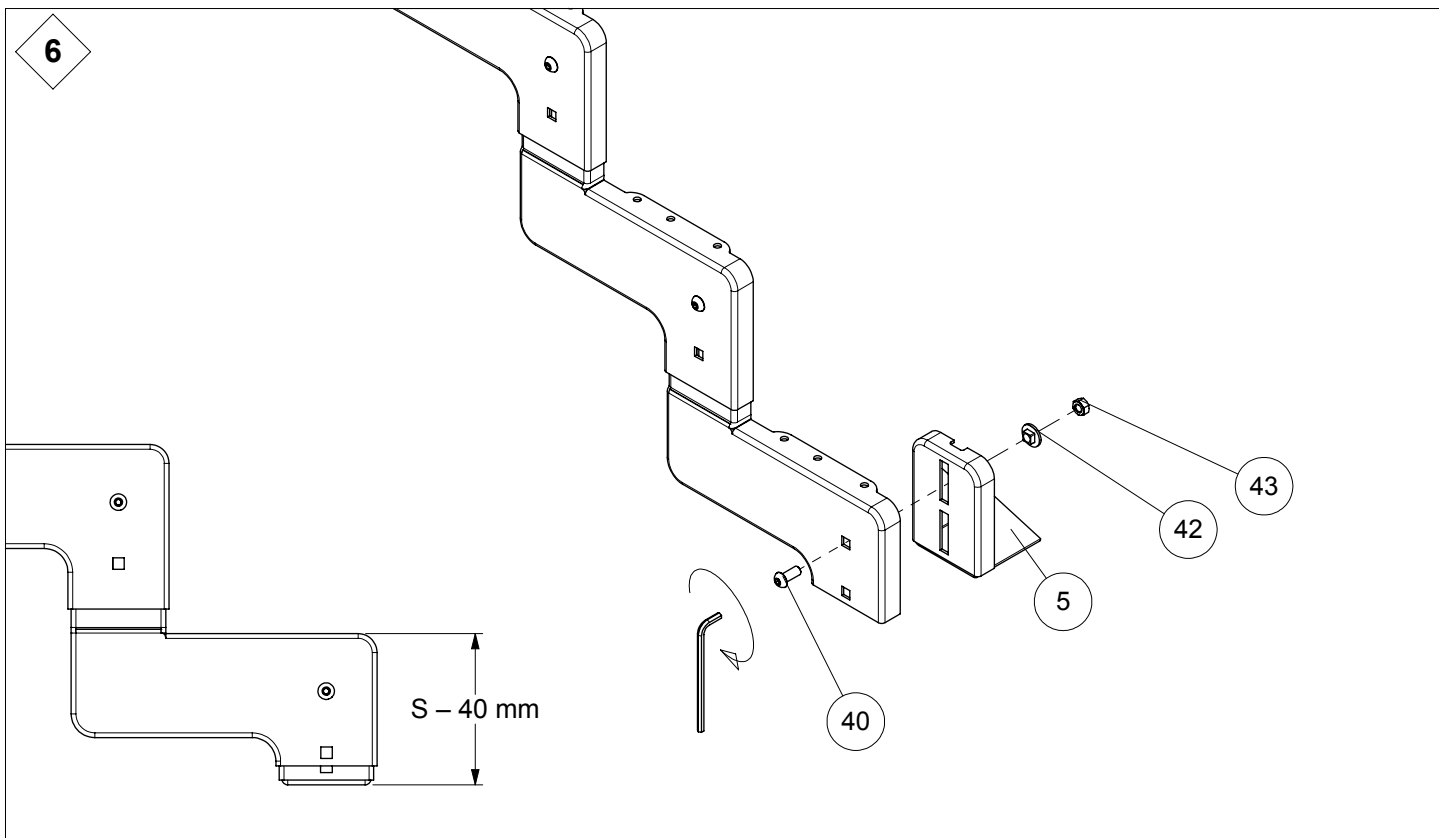
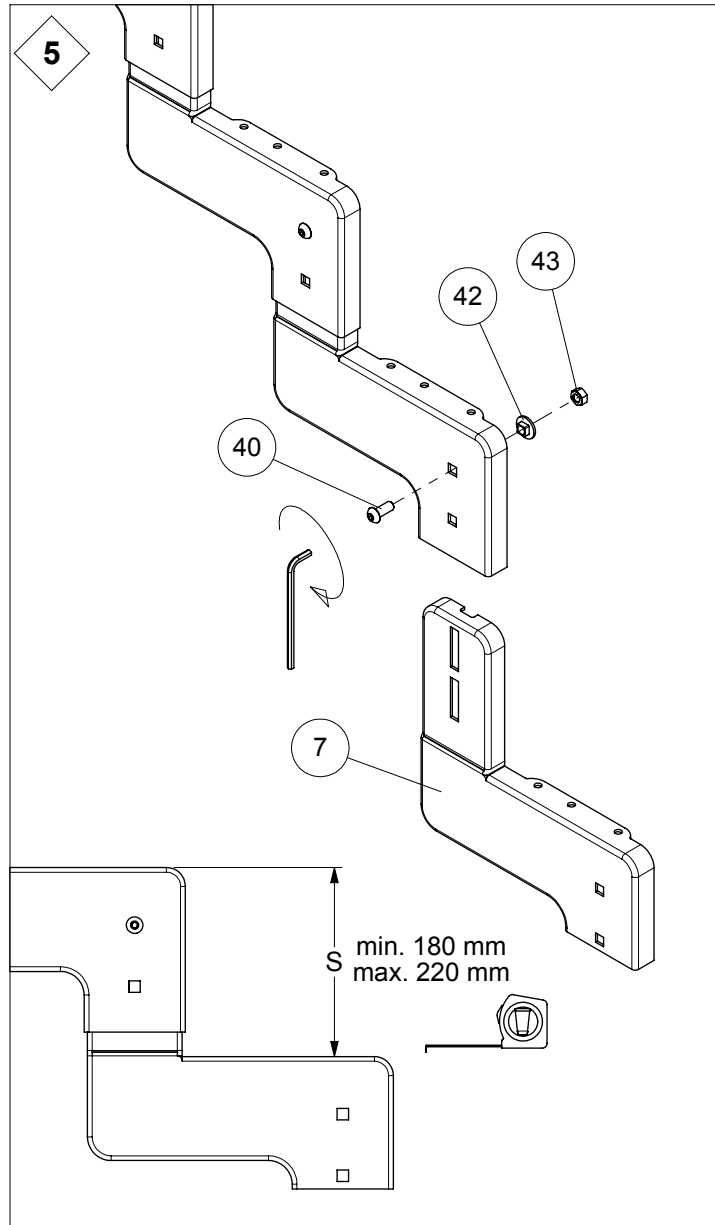
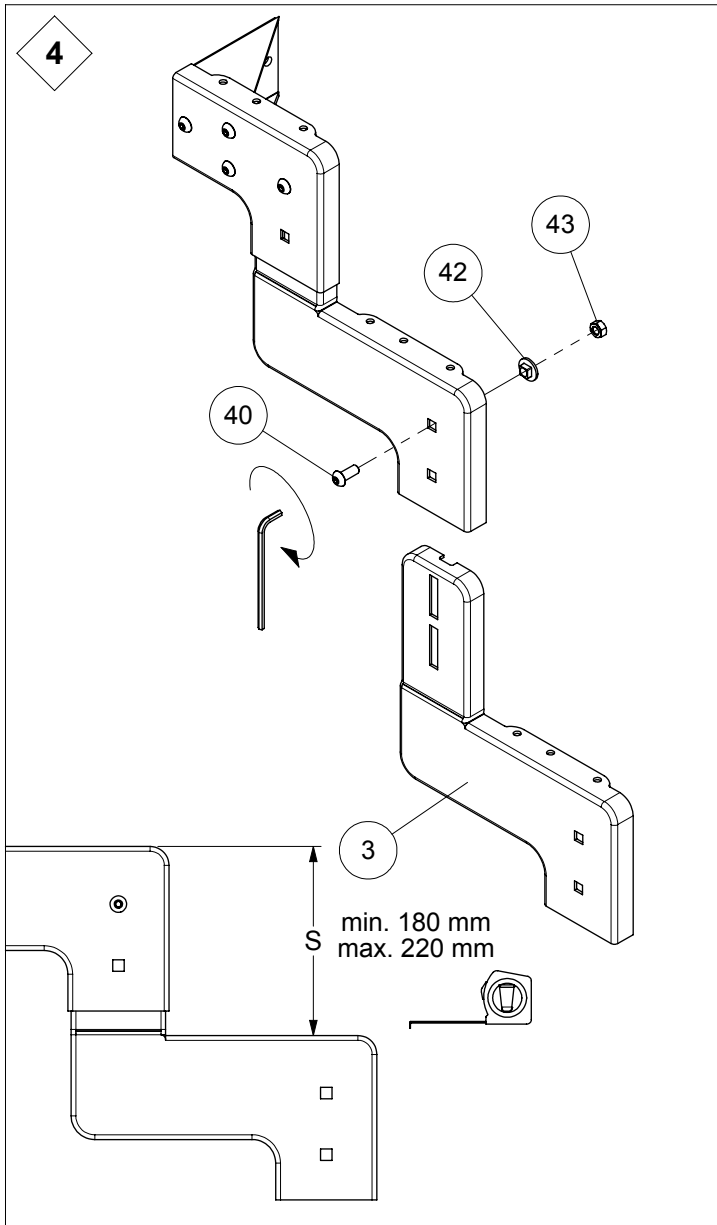
H	S				
	180	190	200	210	220
	mm	mm	mm	mm	mm
2	540	570	600	630	660
3	720	760	800	840	880
4	900	950	1000	1050	1100
5	1080	1140	1200	1260	1320
6	1260	1330	1400	1470	1540
7	1440	1520	1600	1680	1760
8	1620	1710	1800	1890	1980
9	1800	1900	2000	2100	2200
10	1980	2090	2200	2310	2420
11	2160	2280	2400	2520	2640
12	2340	2470	2600	2730	2860

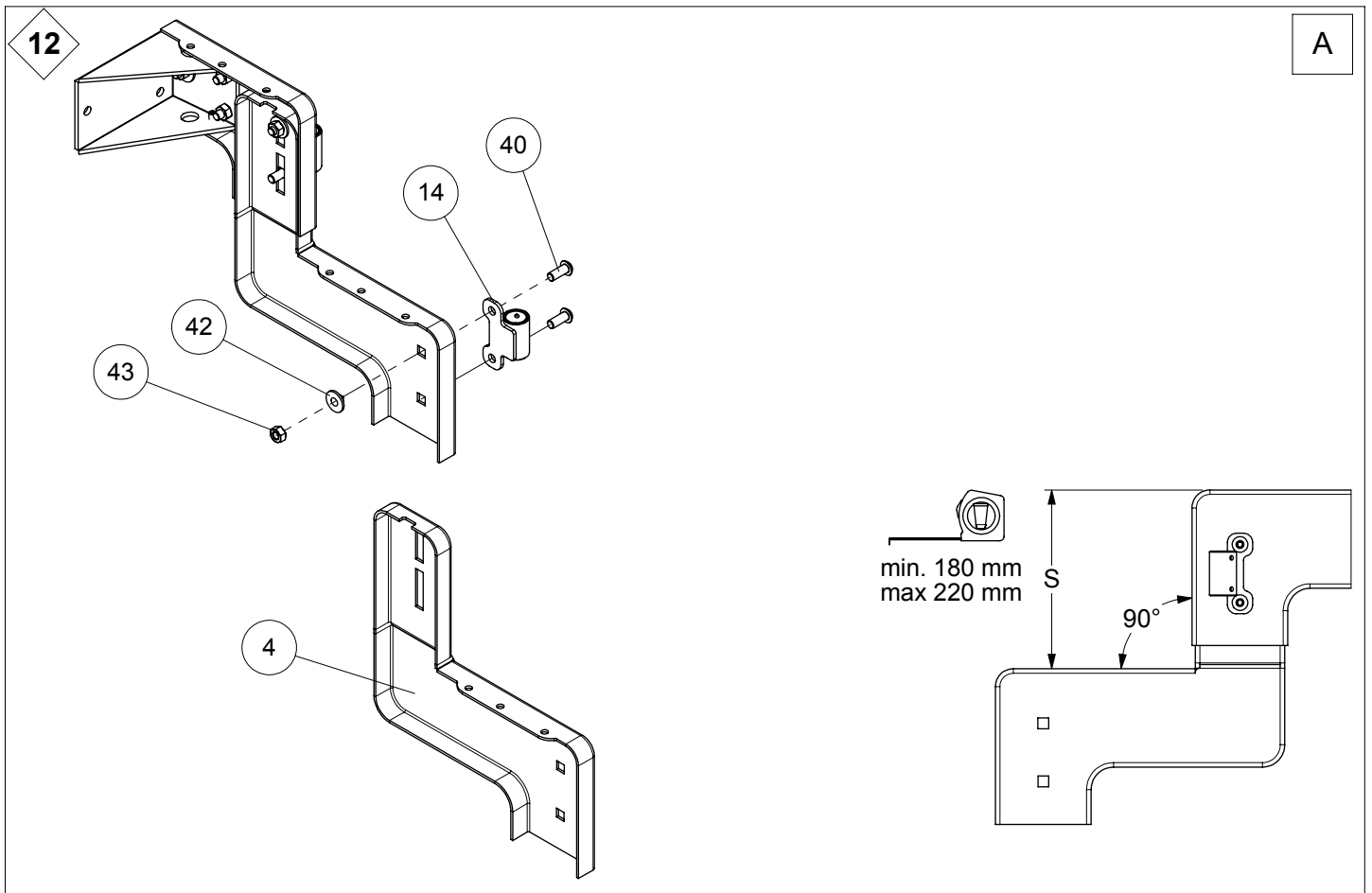
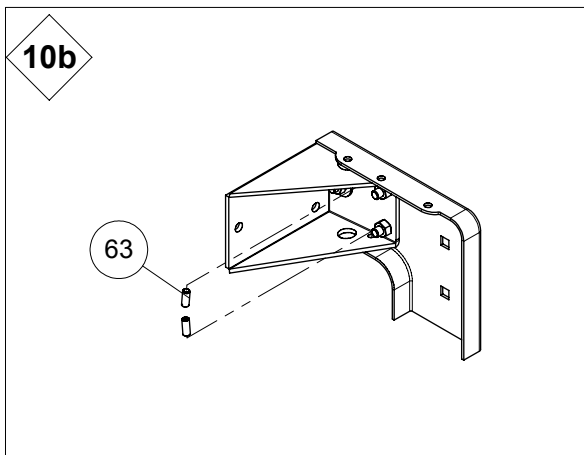
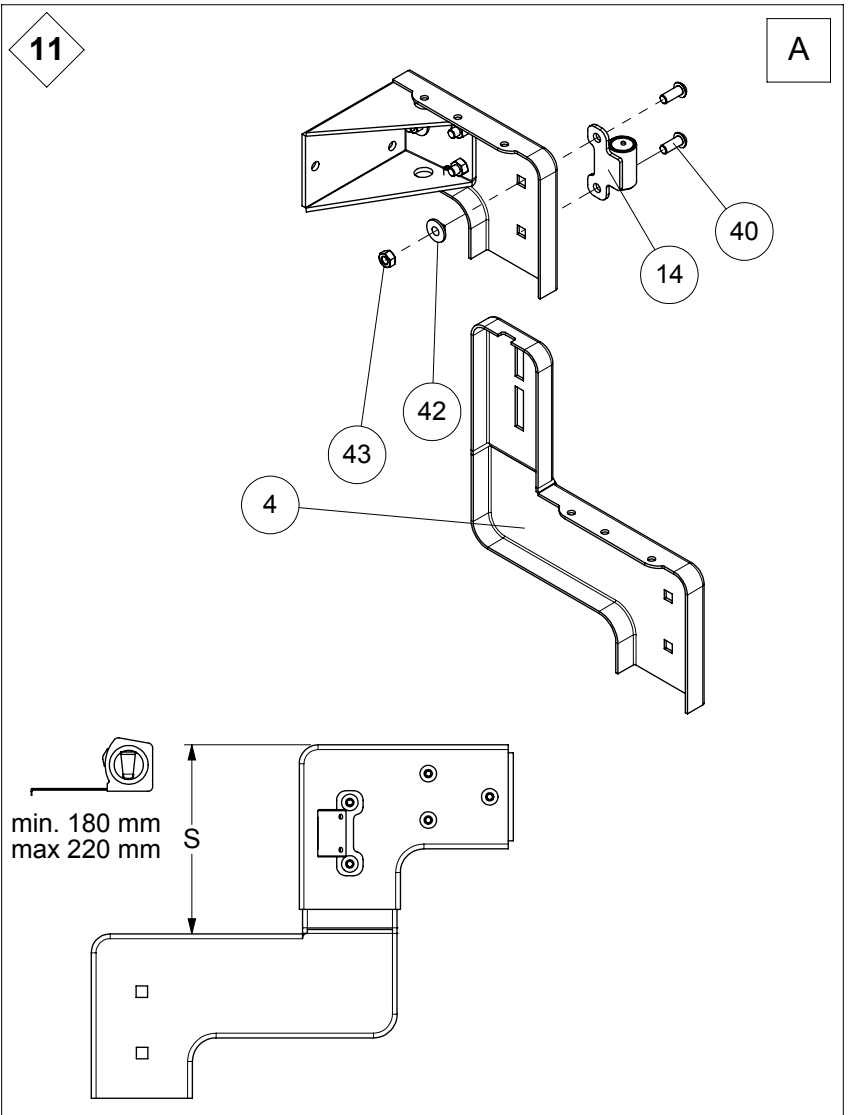
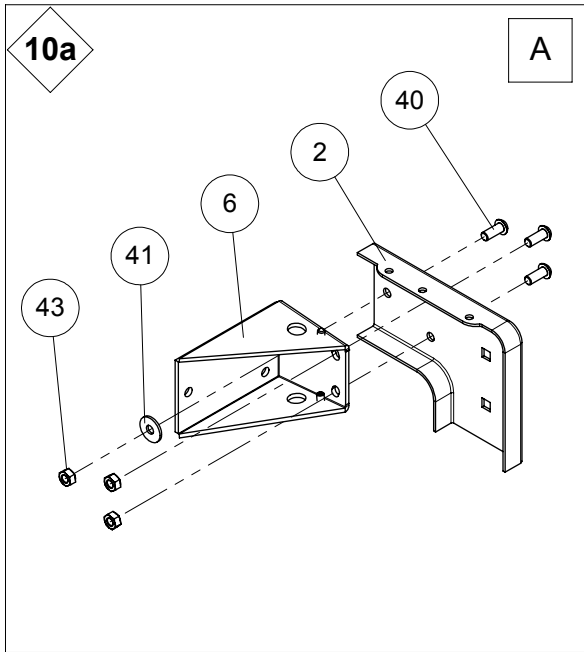


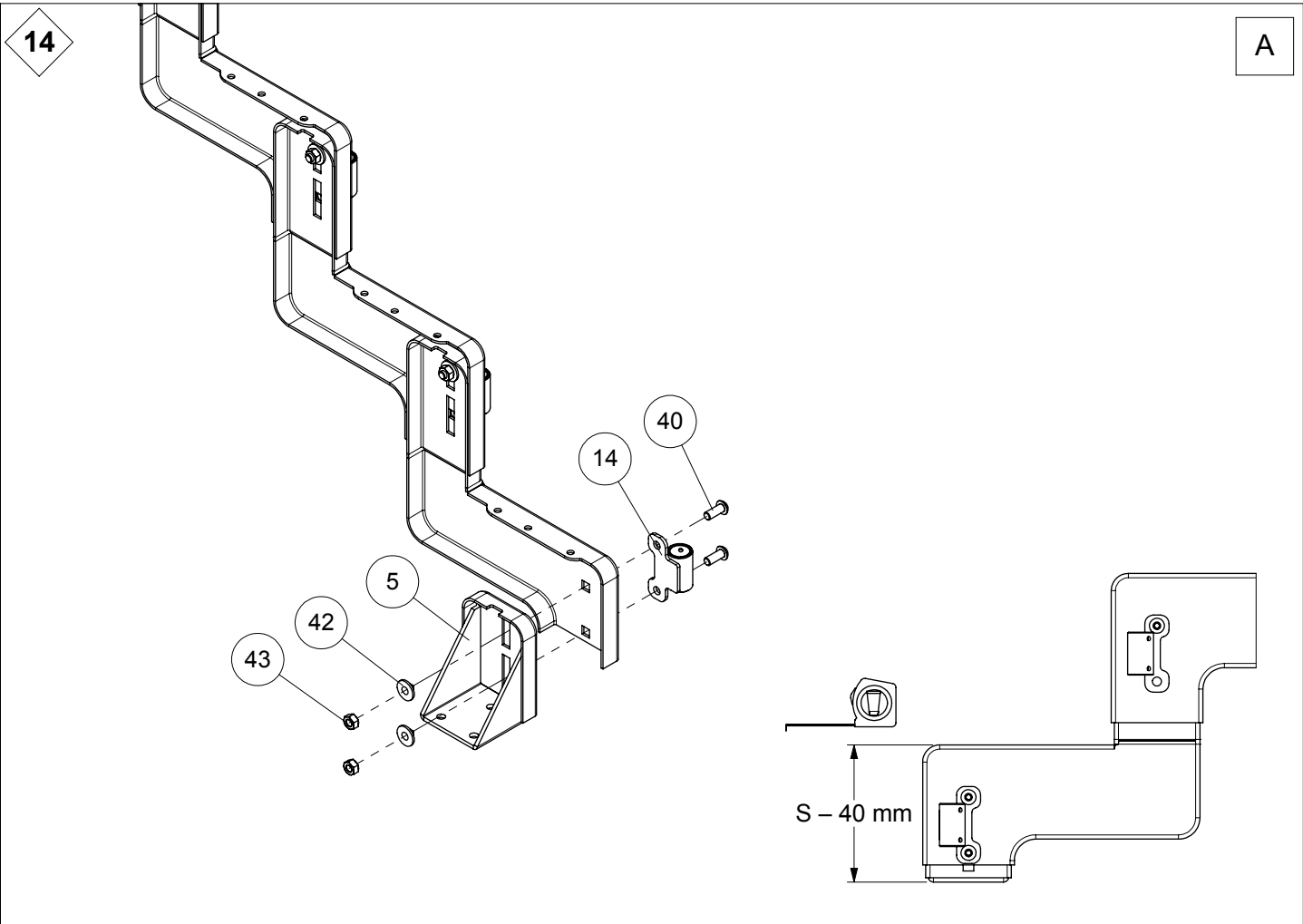
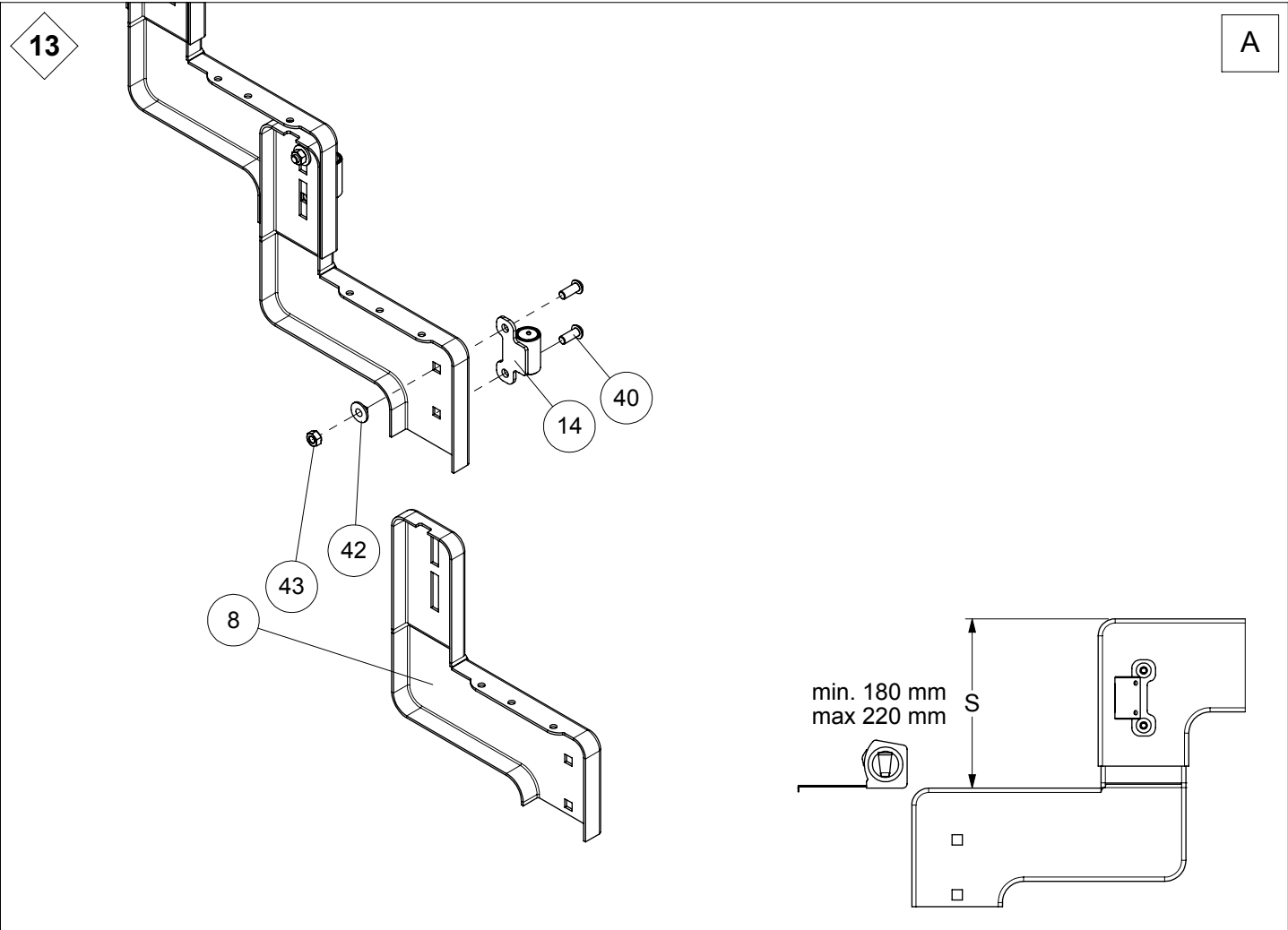
H	S				
	180	190	200	210	220
	mm	mm	mm	mm	mm
2	360	380	400	420	440
3	540	570	600	630	660
4	720	760	800	840	880
5	900	950	1000	1050	1100
6	1080	1140	1200	1260	1320
7	1260	1330	1400	1470	1540
8	1440	1520	1600	1680	1760
9	1620	1710	1800	1890	1980
10	1800	1900	2000	2100	2200
11	1980	2090	2200	2310	2420
12	2160	2280	2400	2520	2640





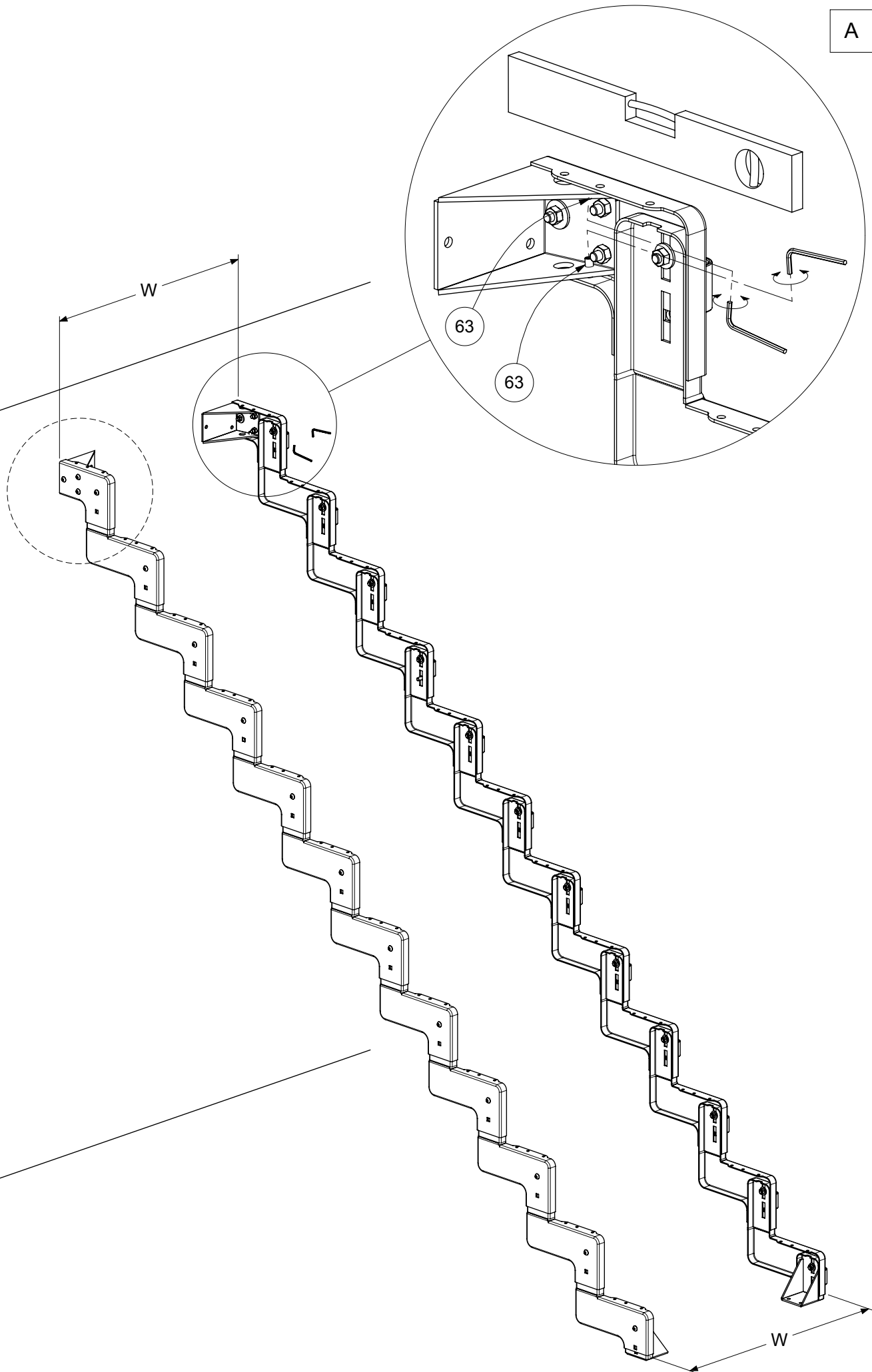






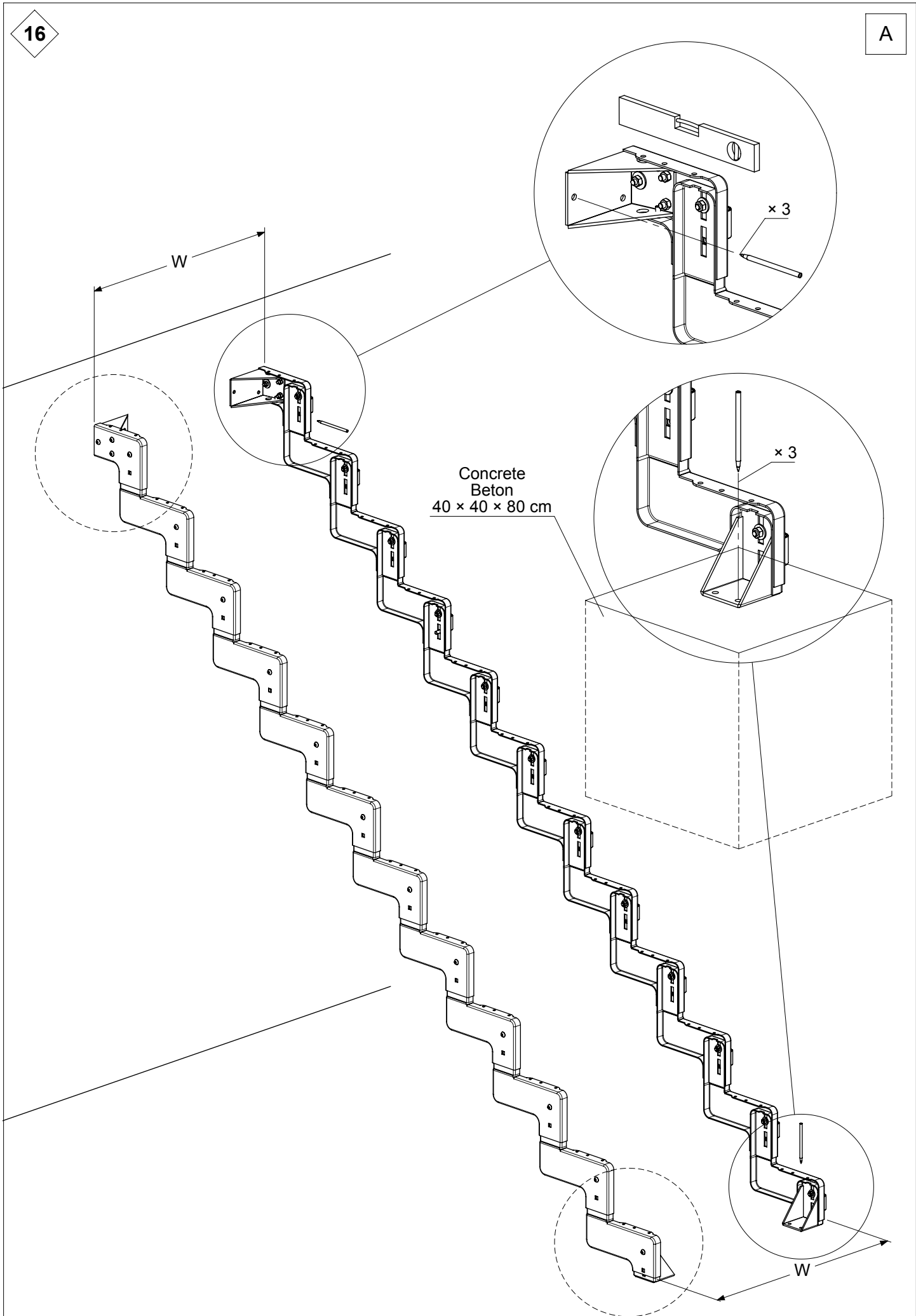
15

A



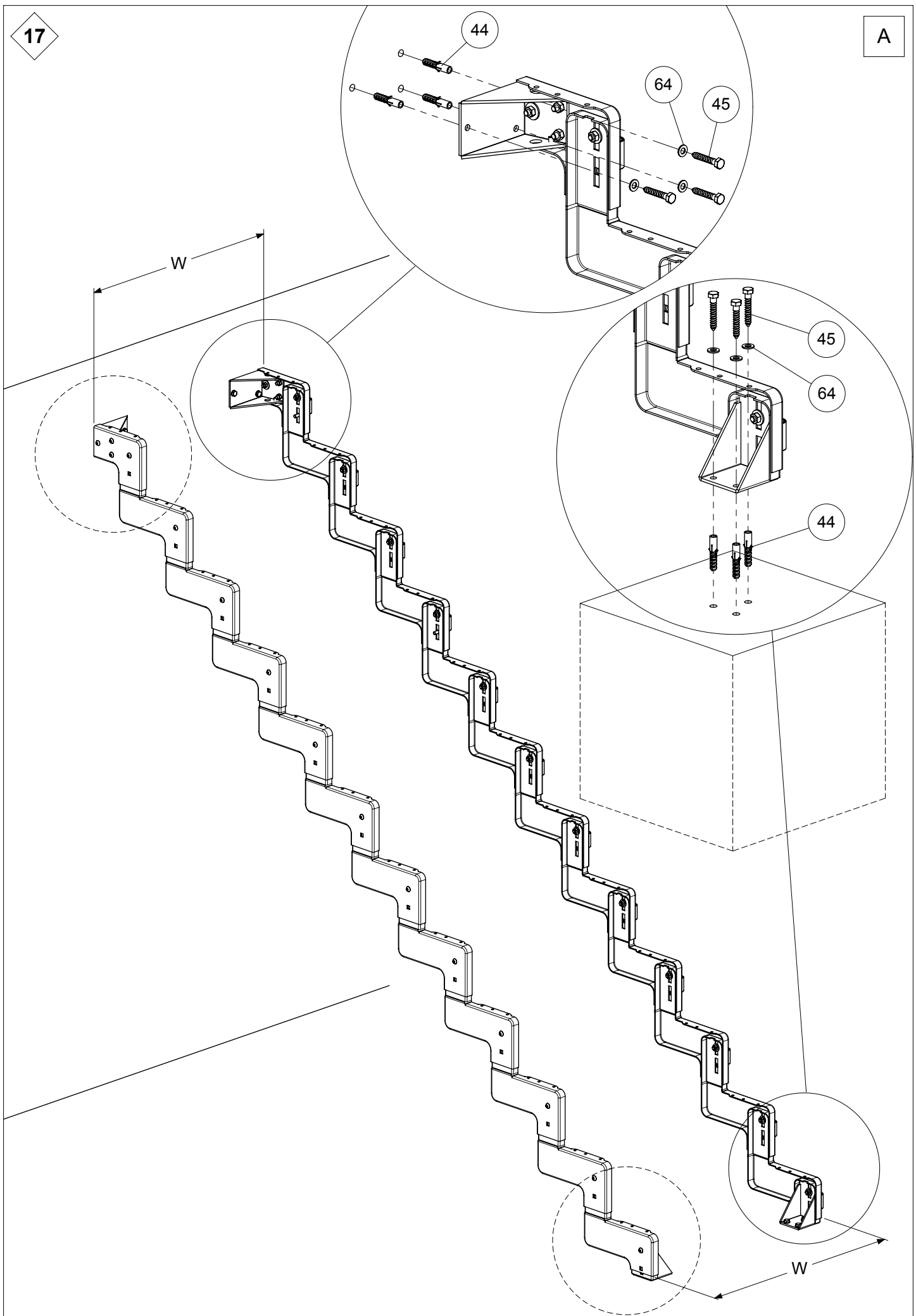
16

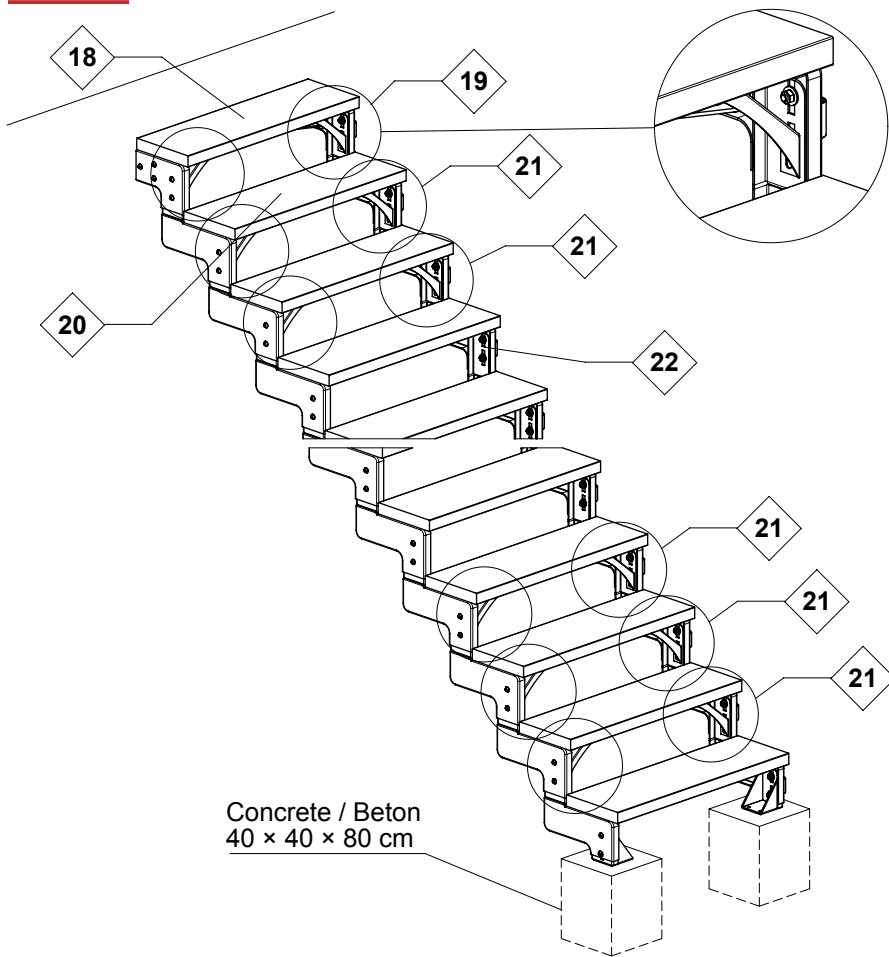
A




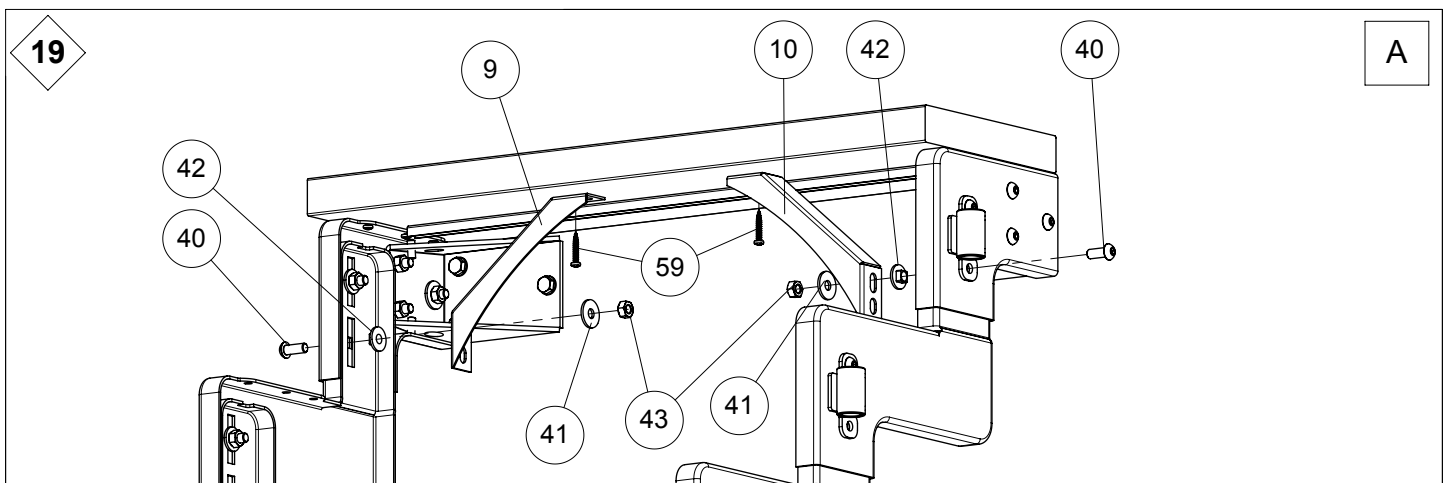
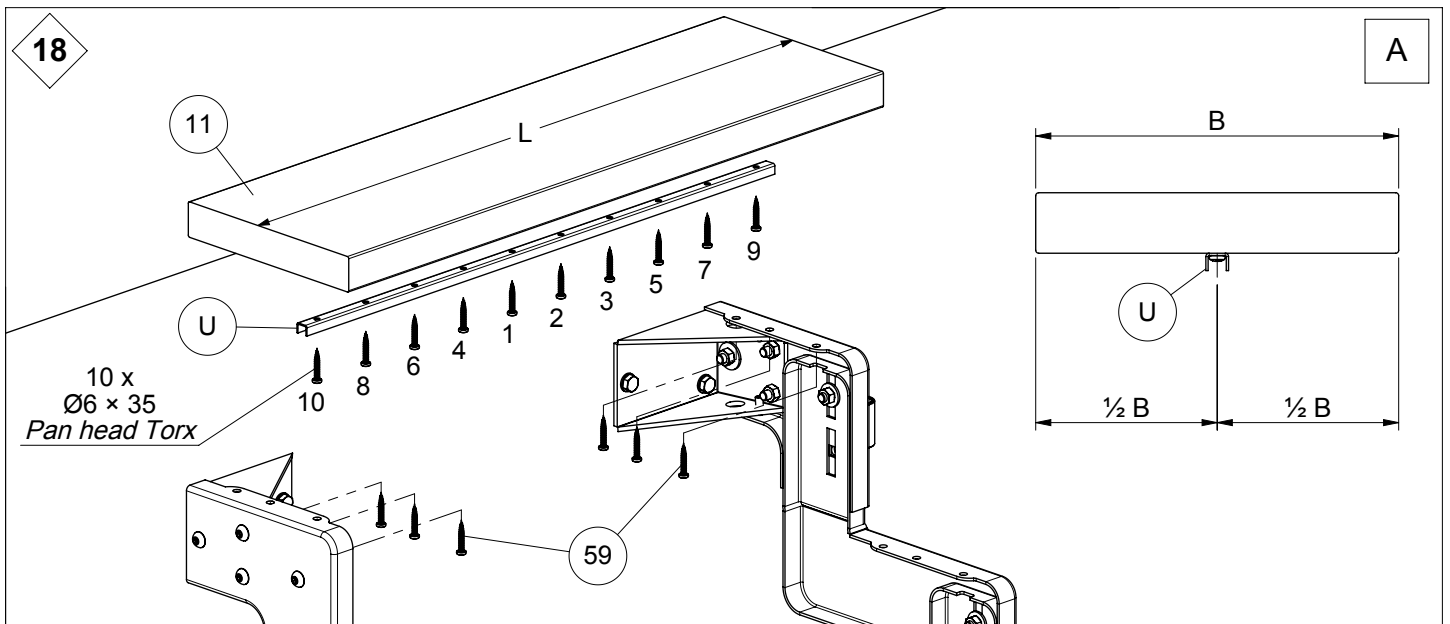
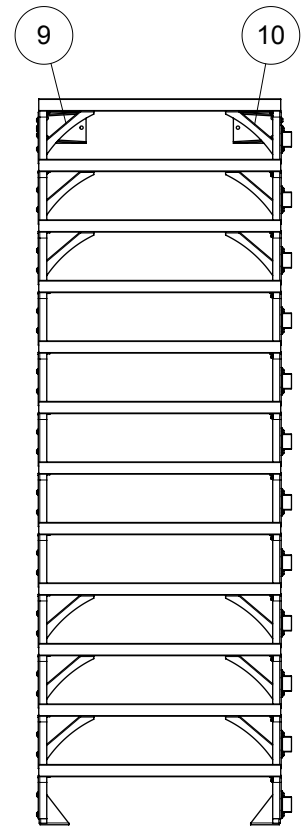
17

A



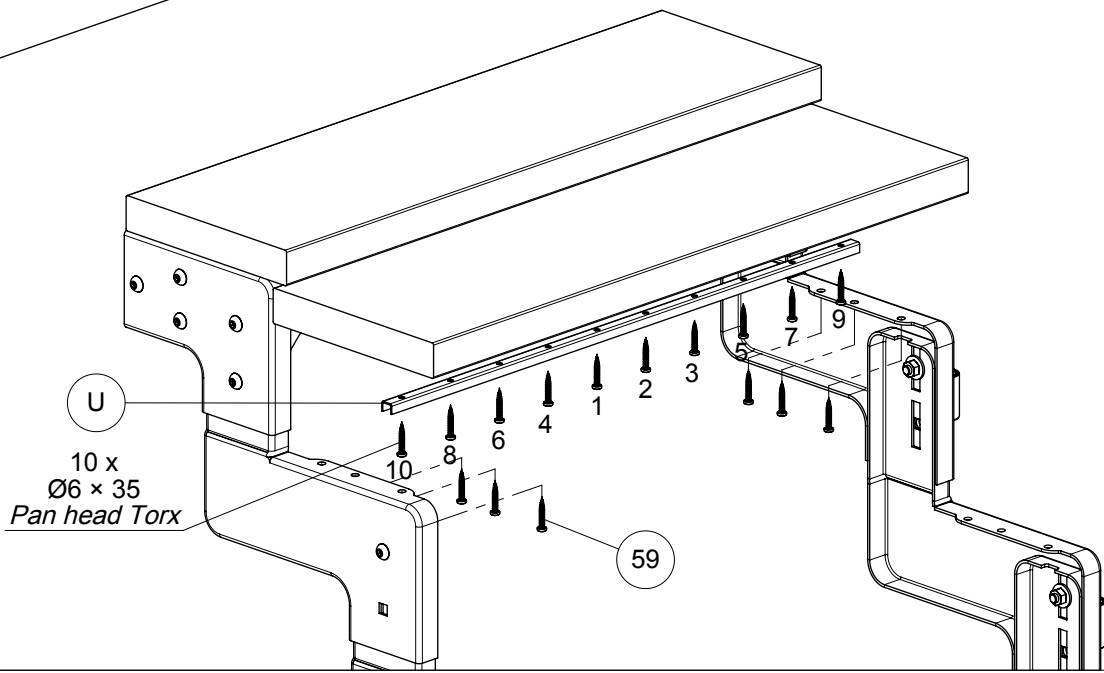


  
 If more than  
6 steps:  
Add  
 (9) + (10)  
 Wenn mehr als  
6 Stufen:  
 (9) + (10)  
hinzufügen



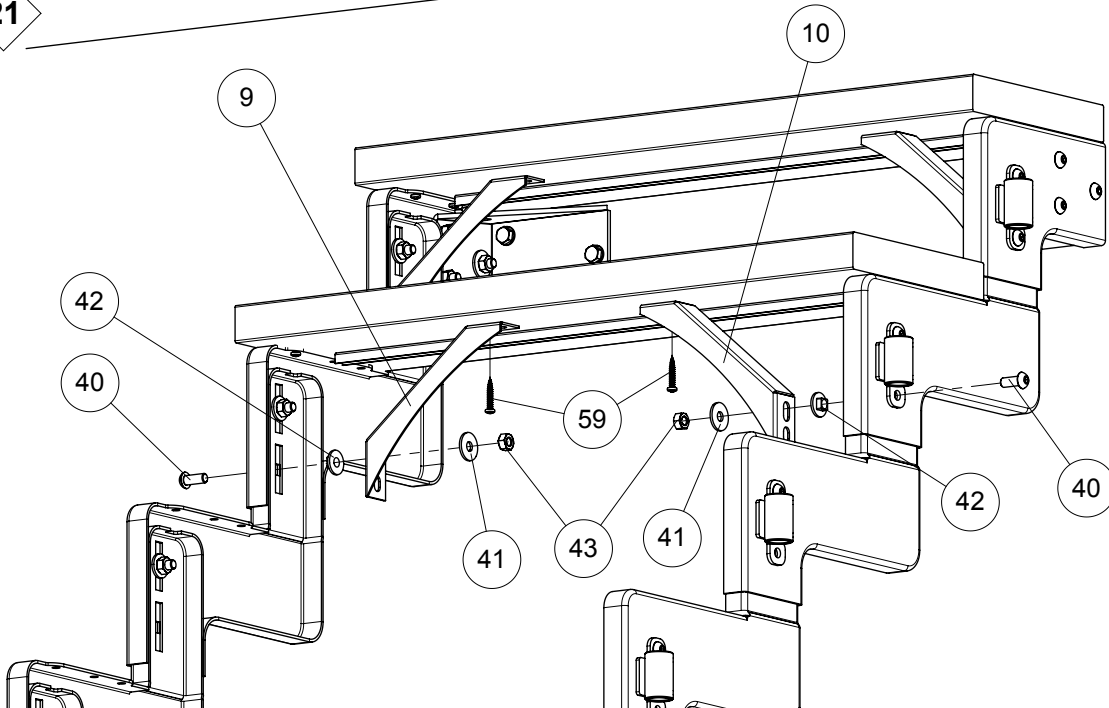
20

A



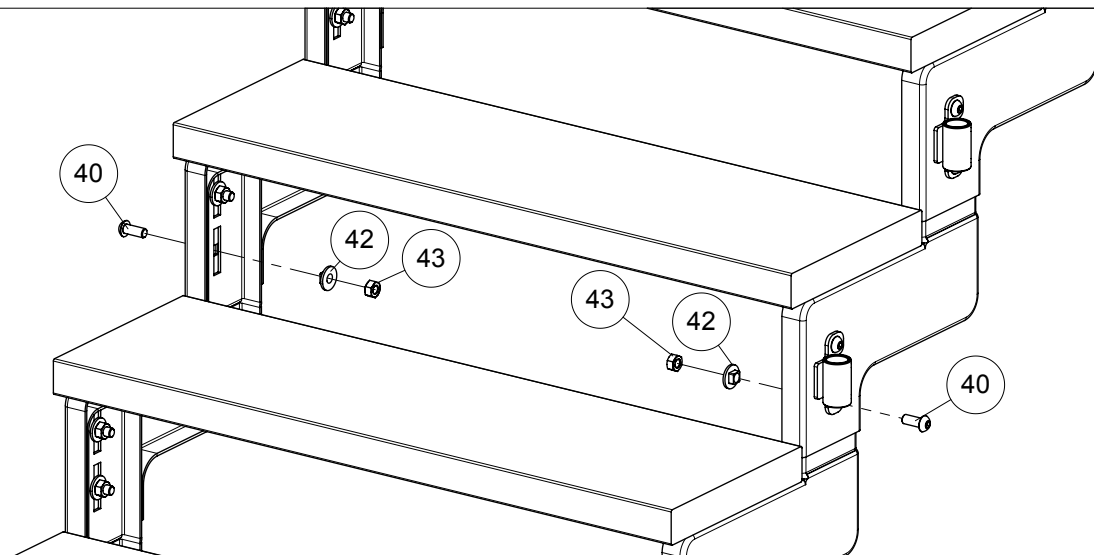
21

A

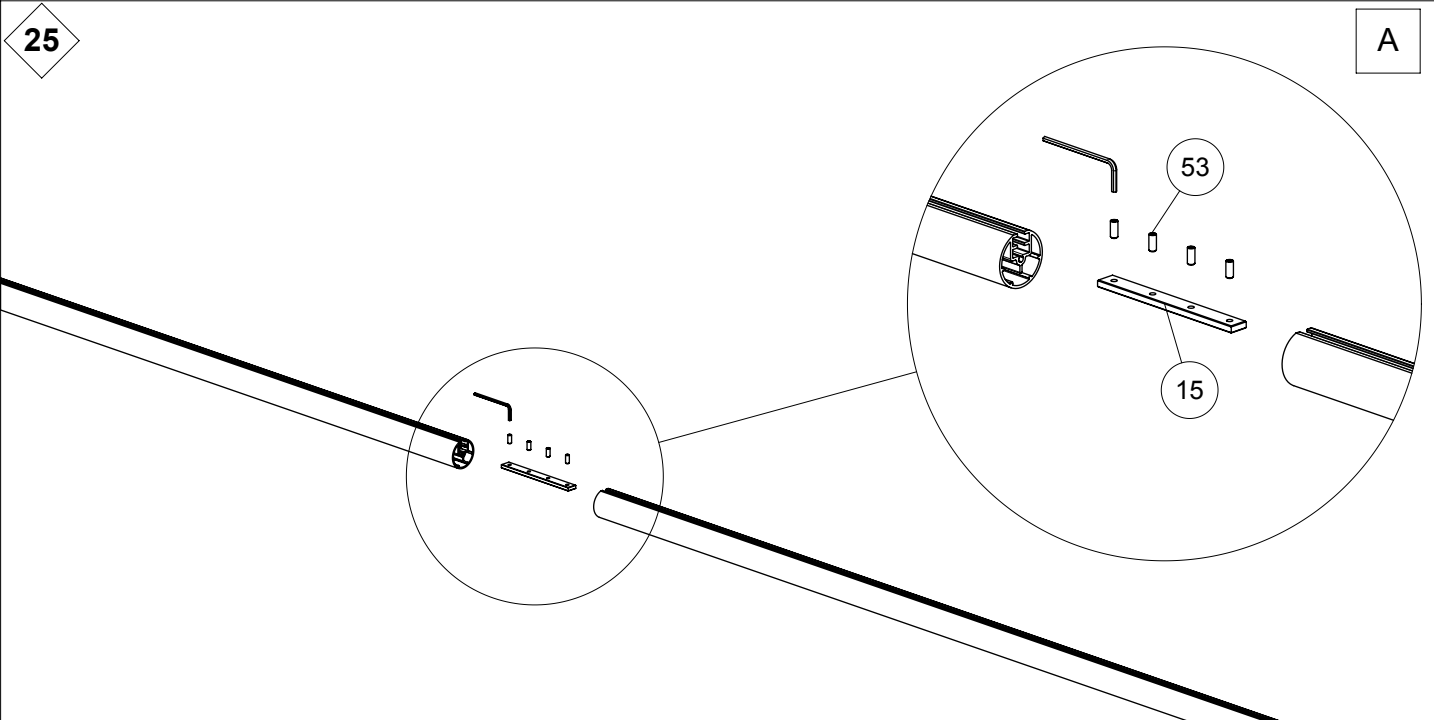
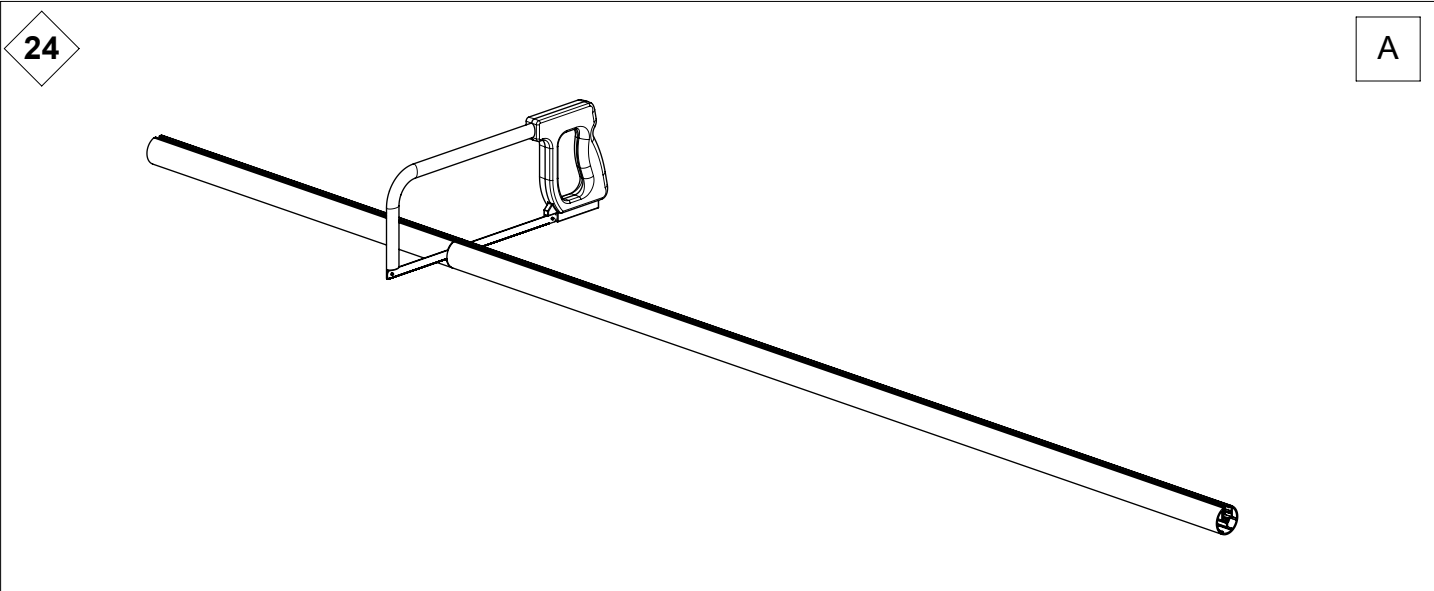
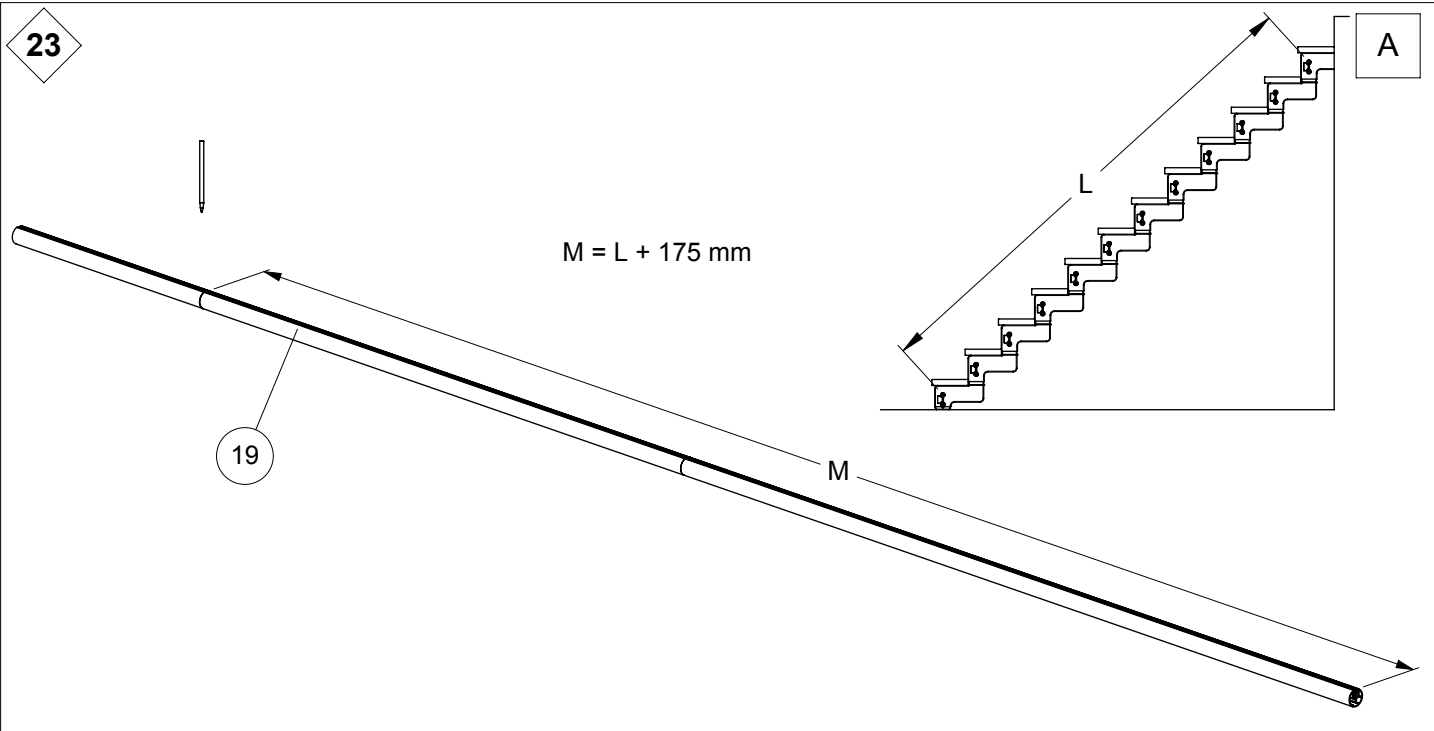


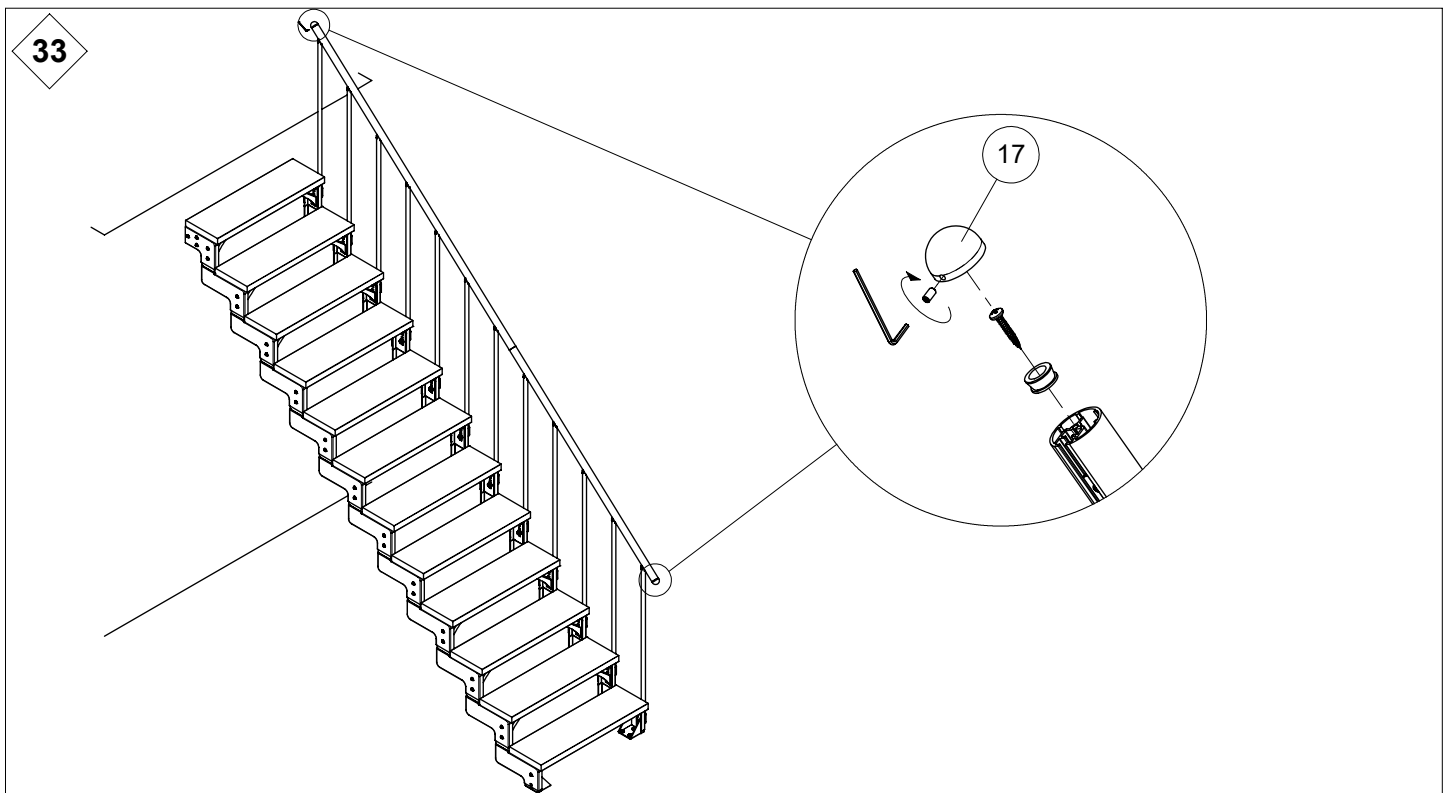
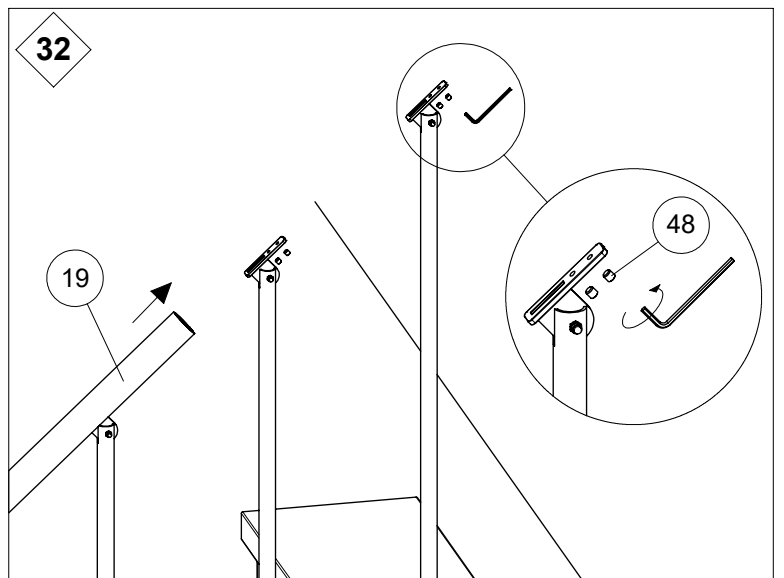
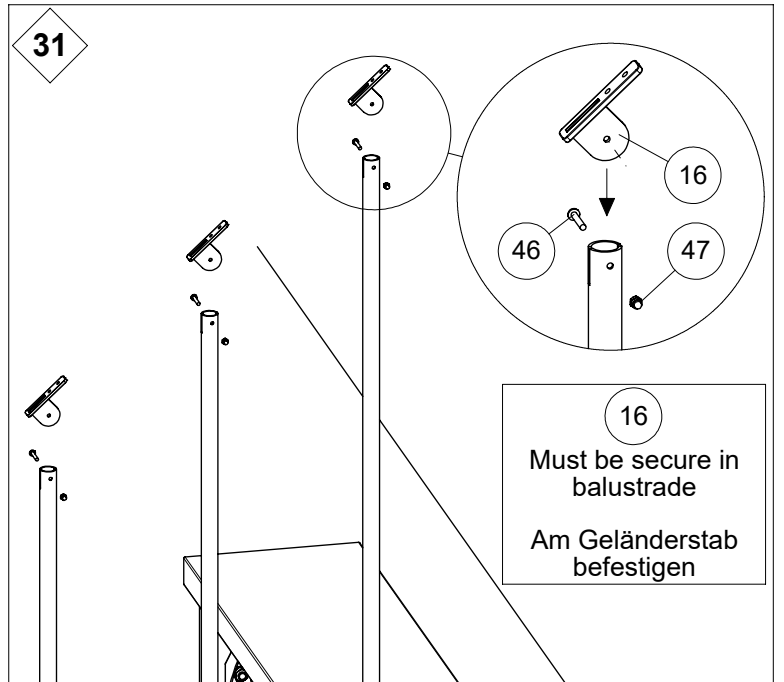
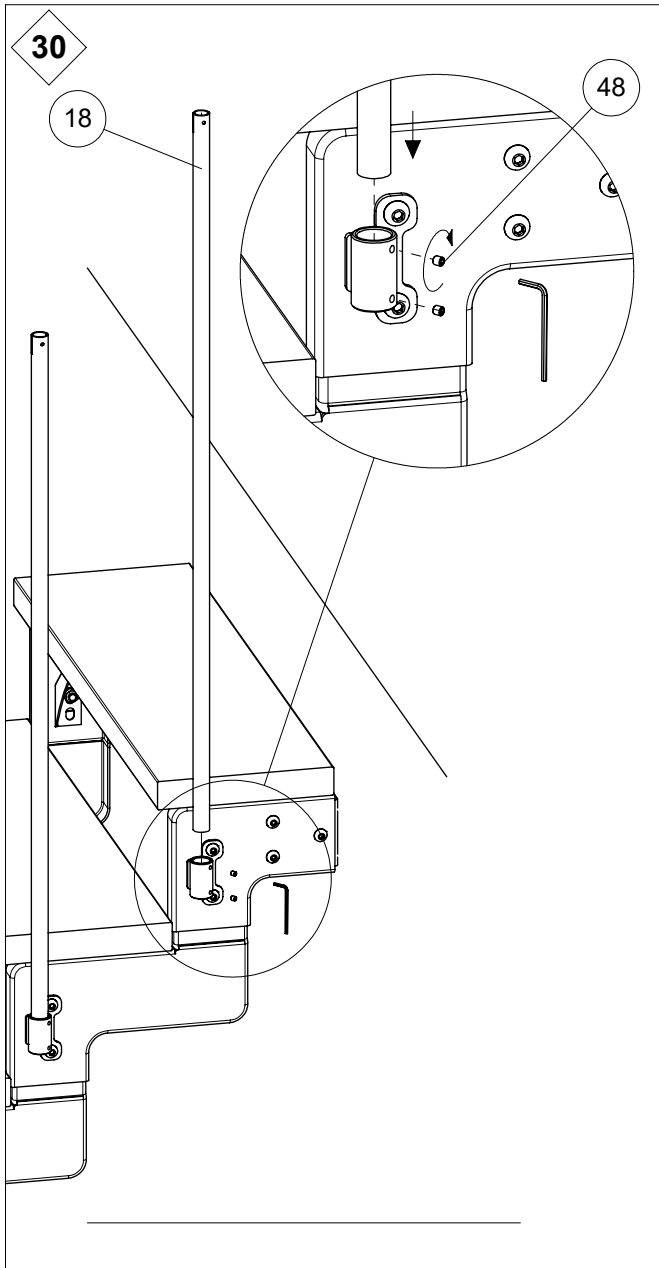
22

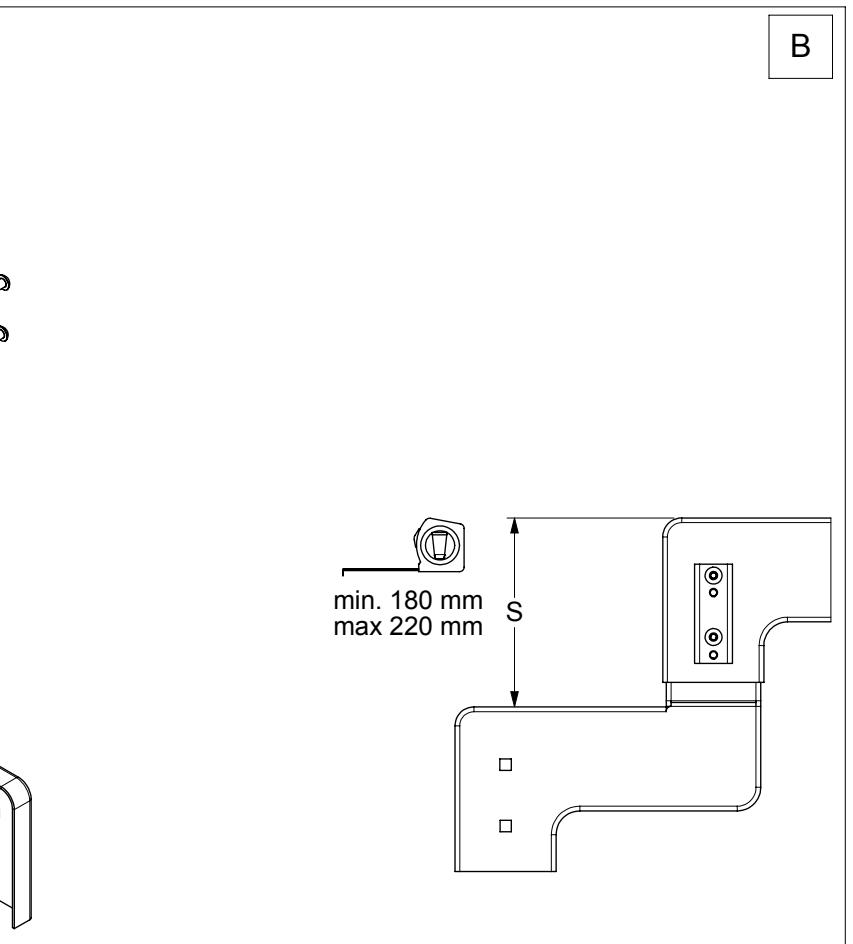
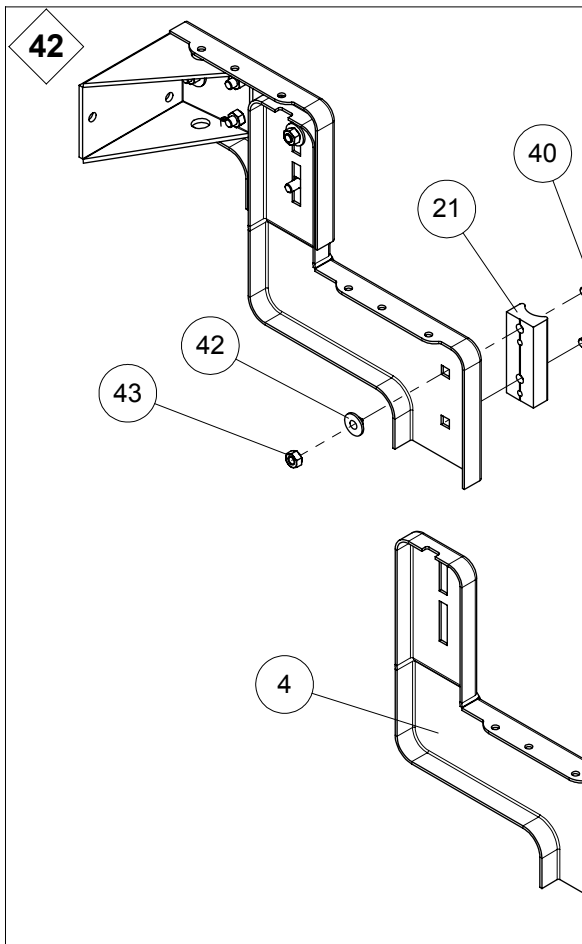
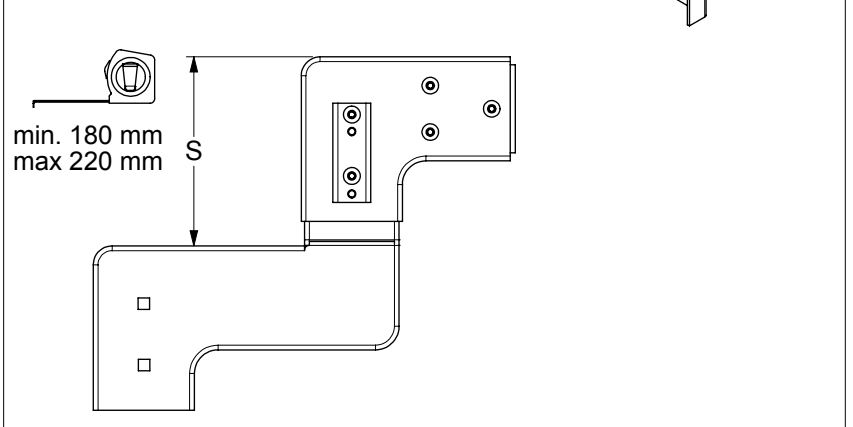
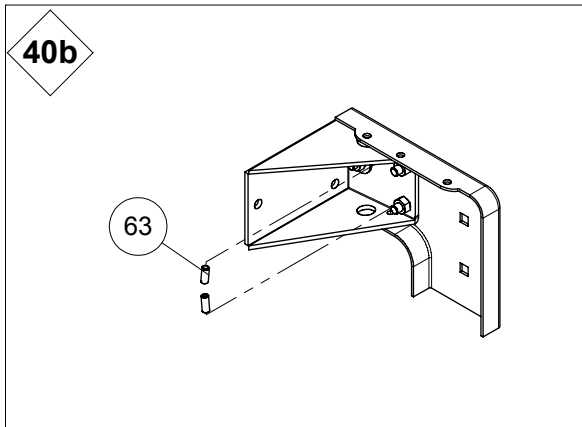
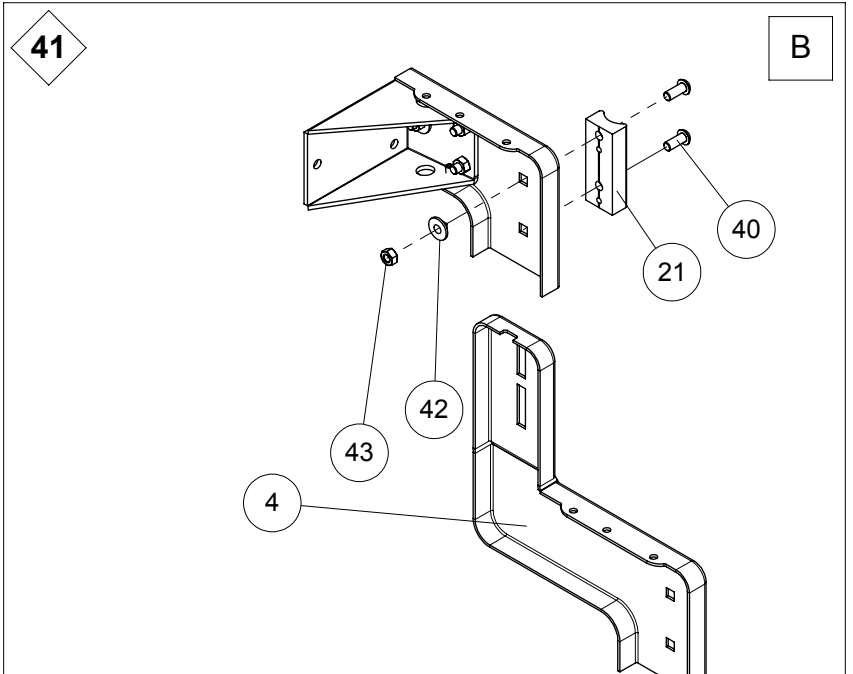
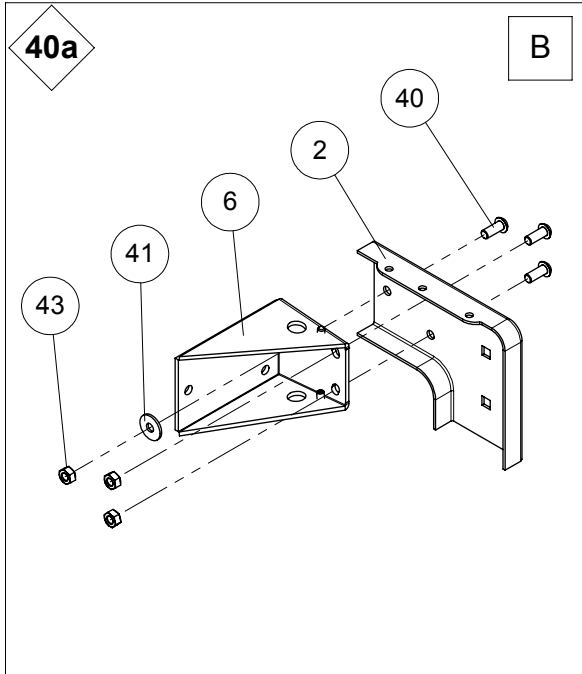
A

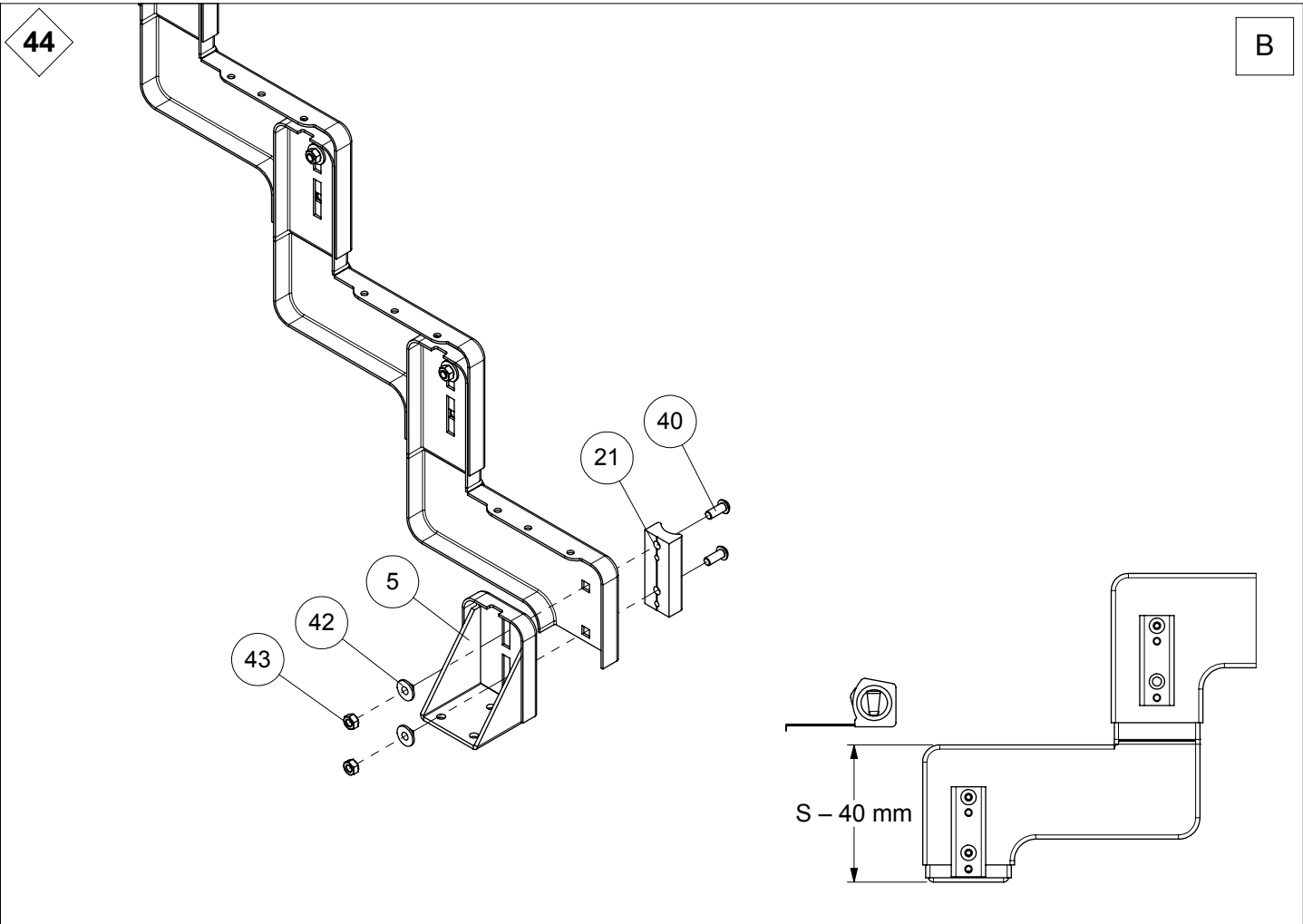
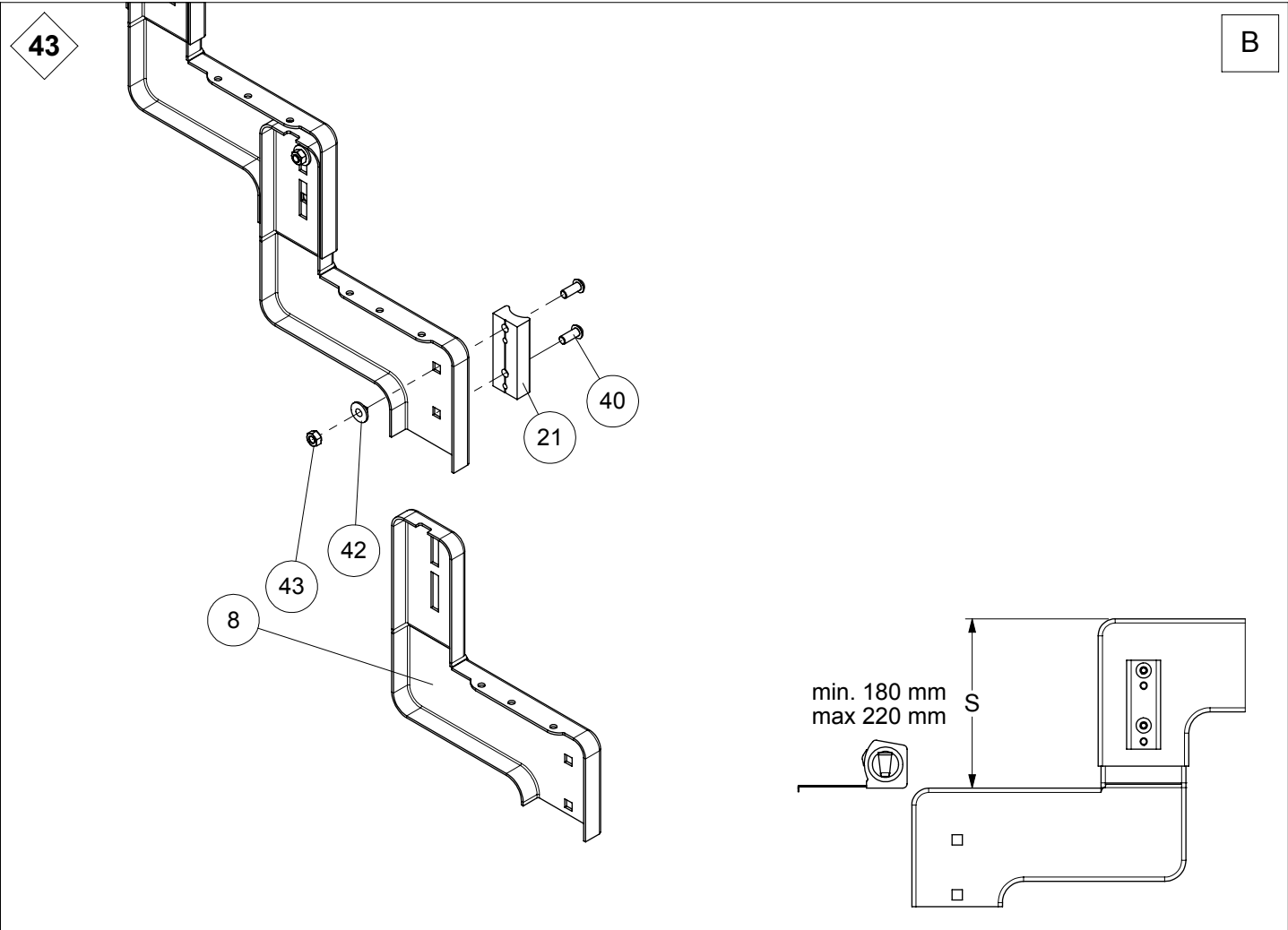






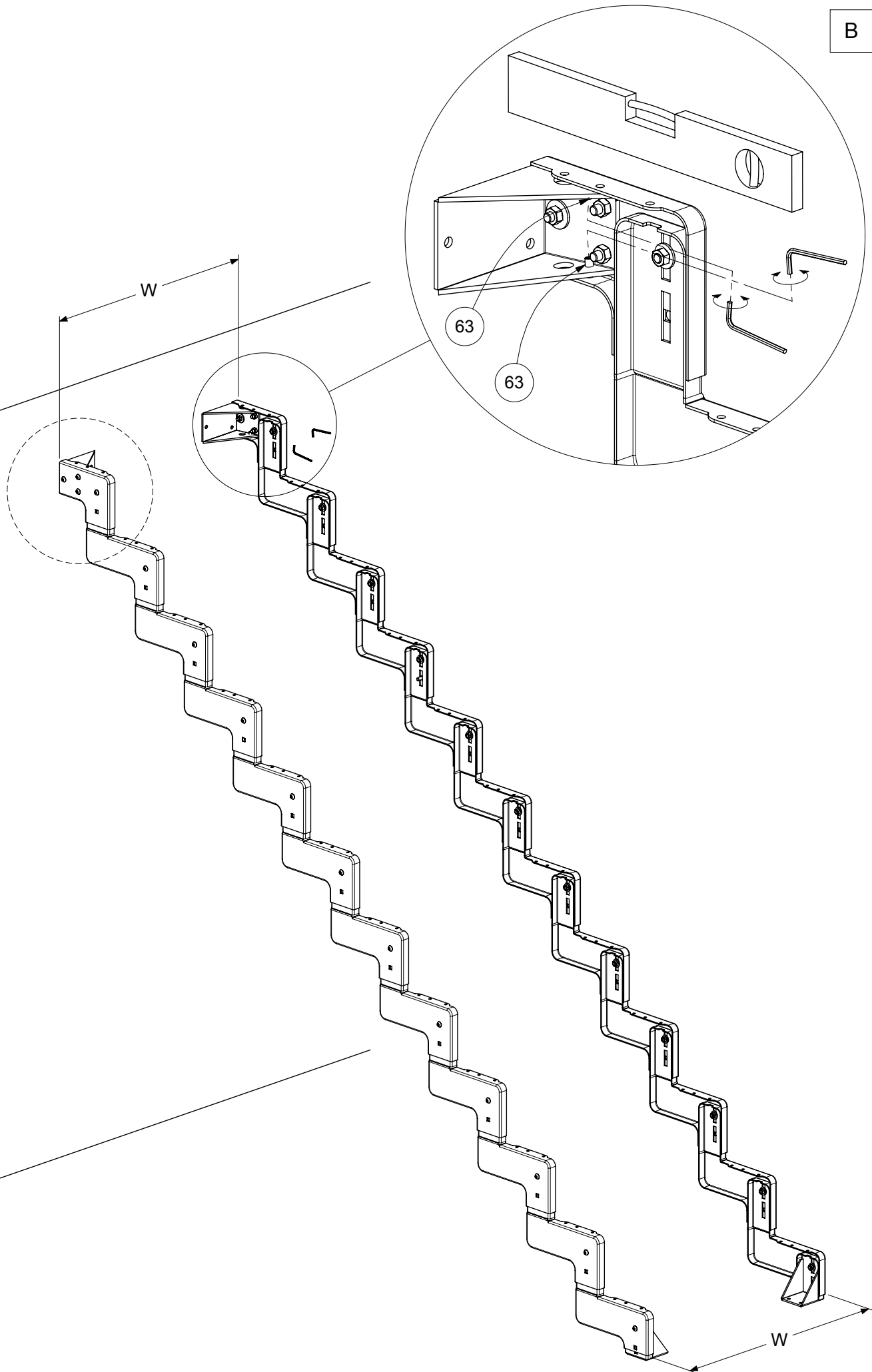






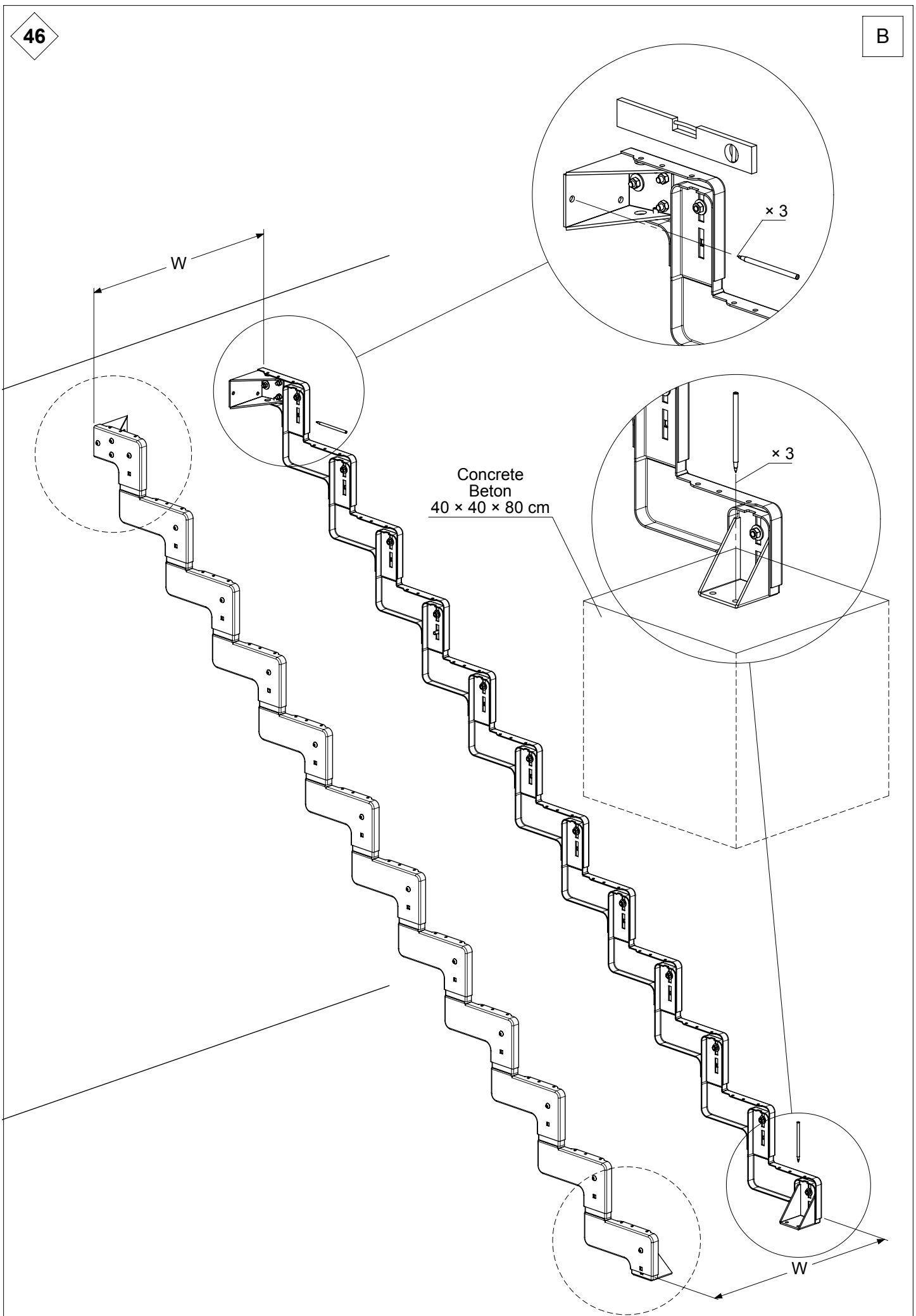
45

B



46

B



Concrete  
Beton  
40 x 40 x 80 cm

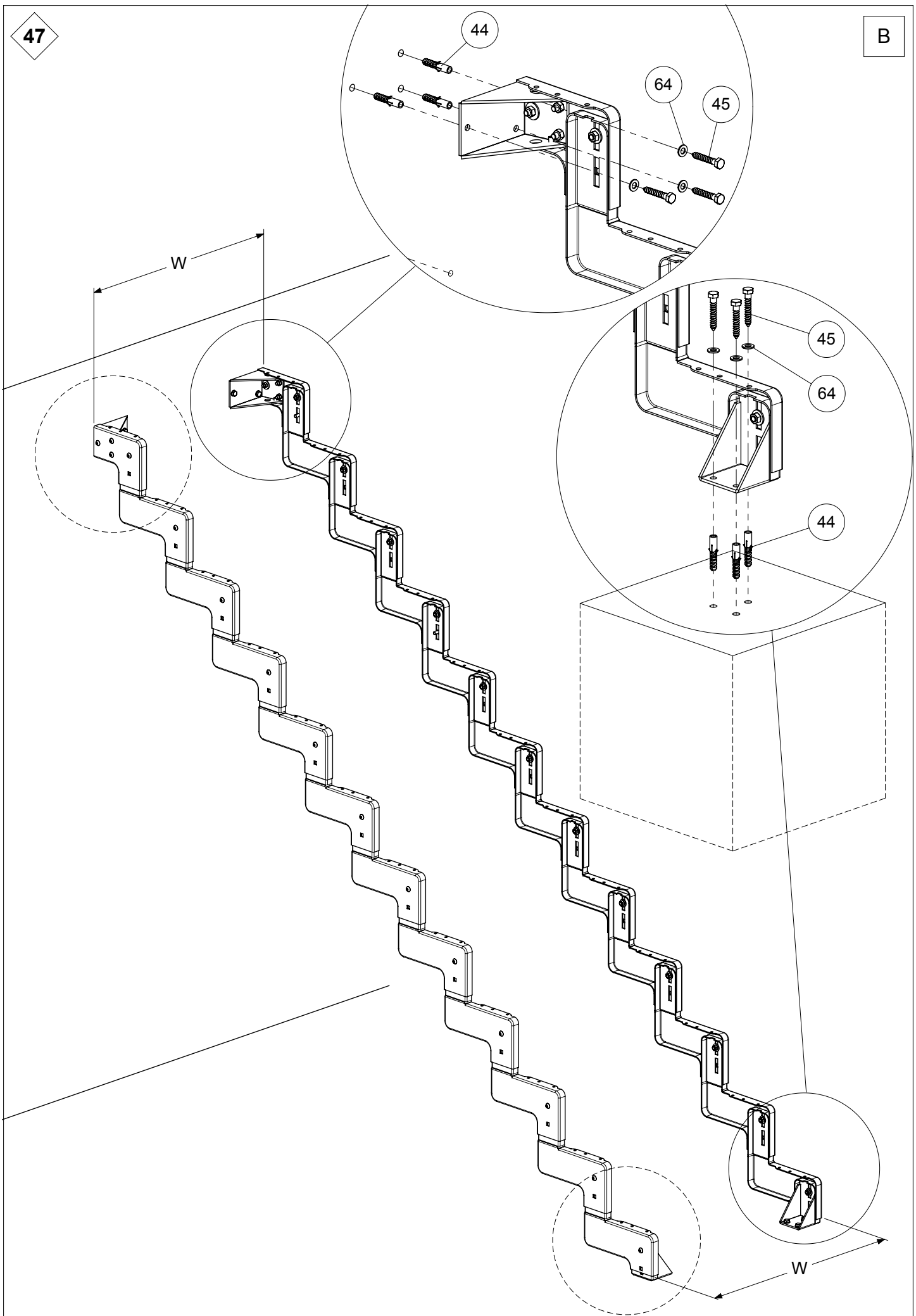
x 3

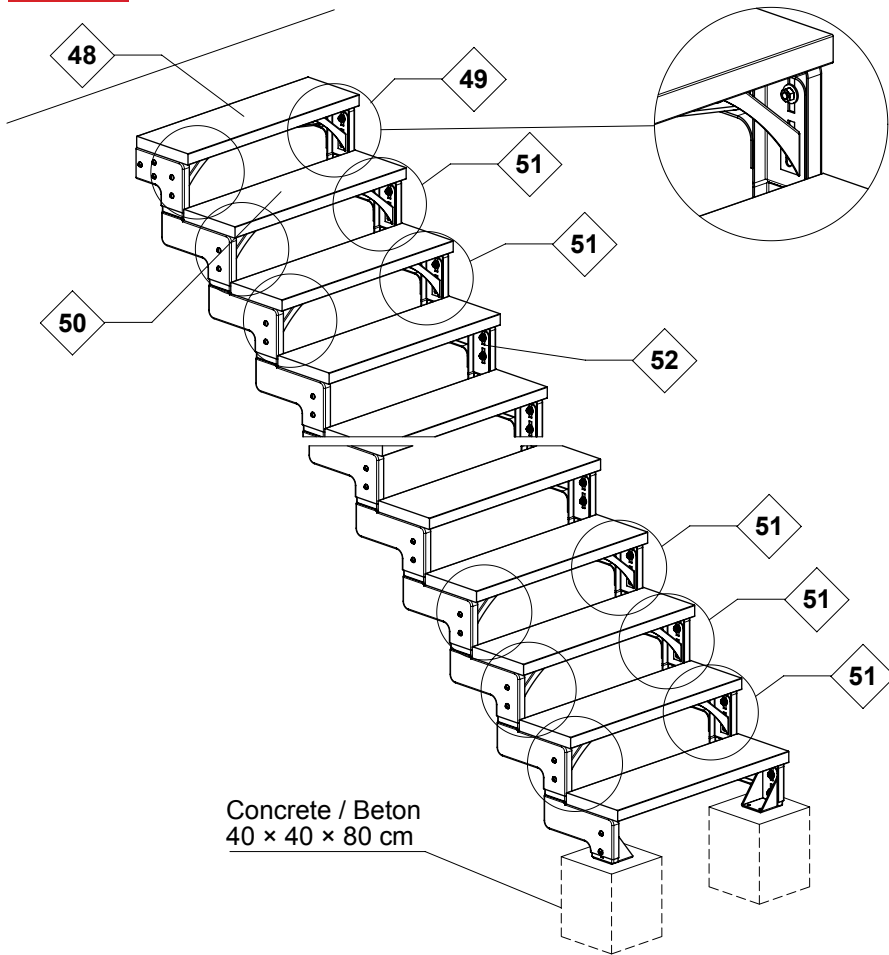
x 3


W

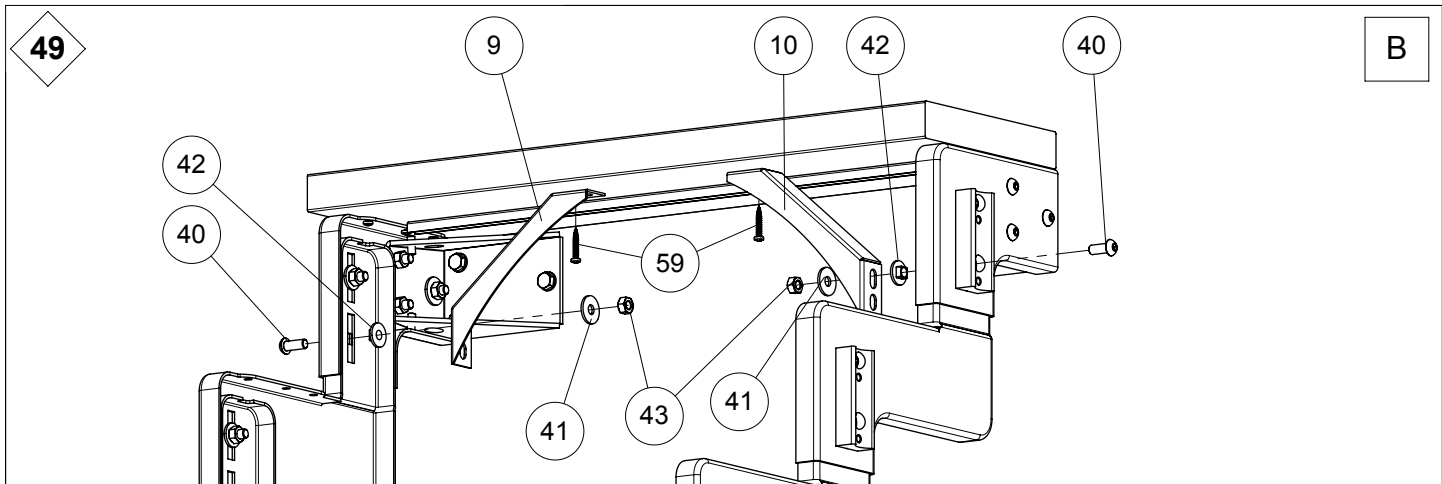
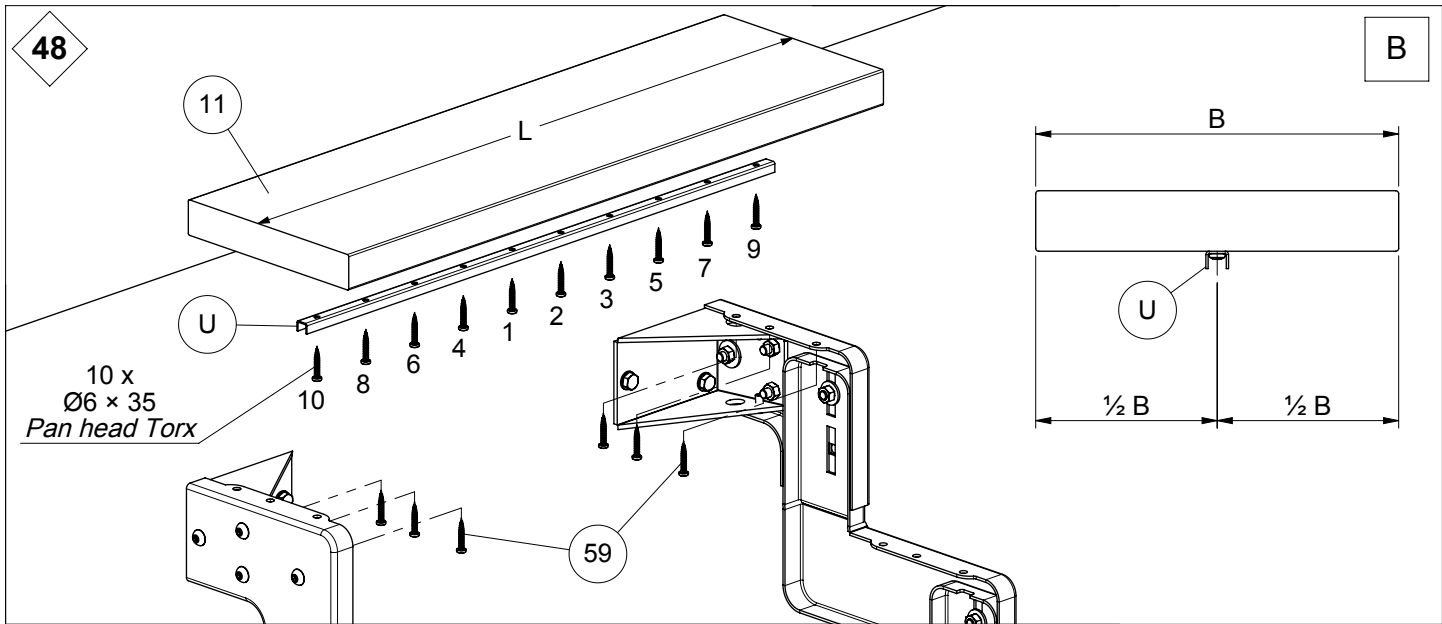
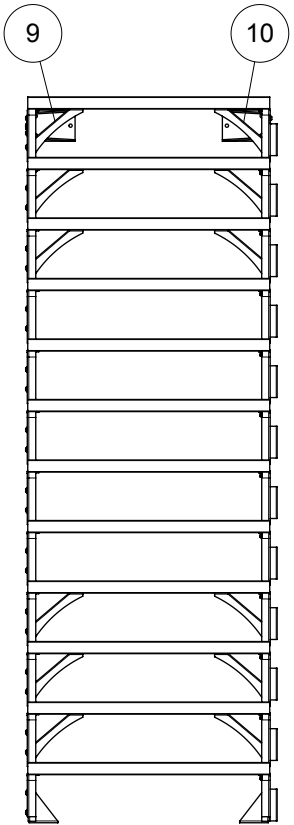
47

B





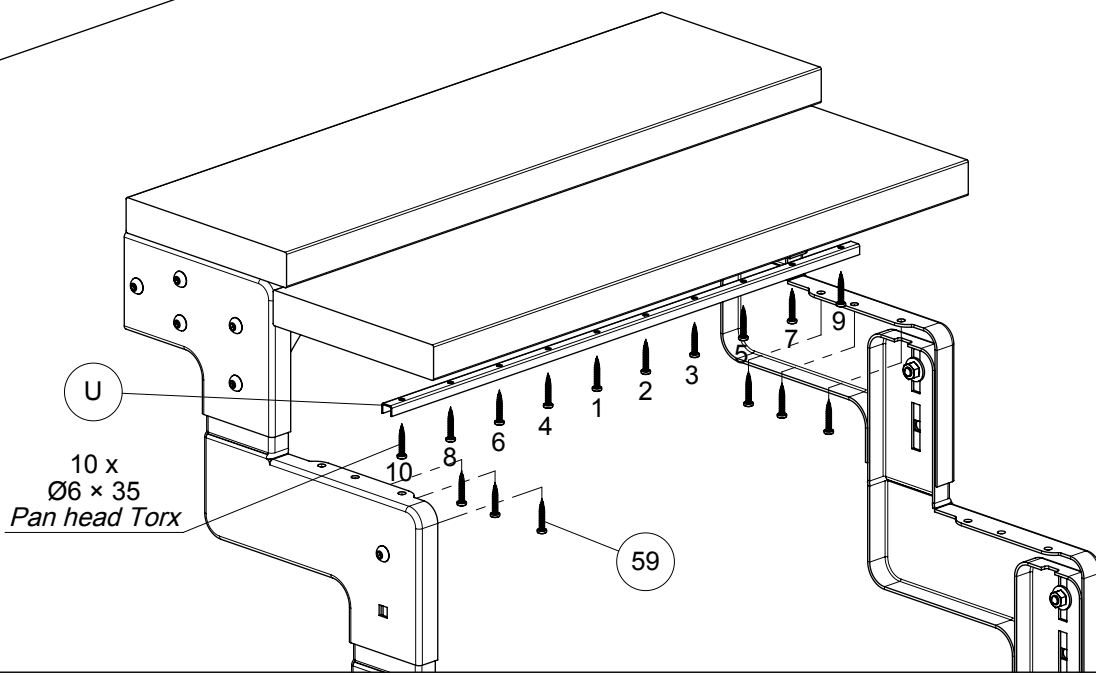
  
 If more than  
6 steps:  
Add  
 (9) + (10)  
 Wenn mehr als  
6 Stufen:  
 (9) + (10)  
hinzufügen





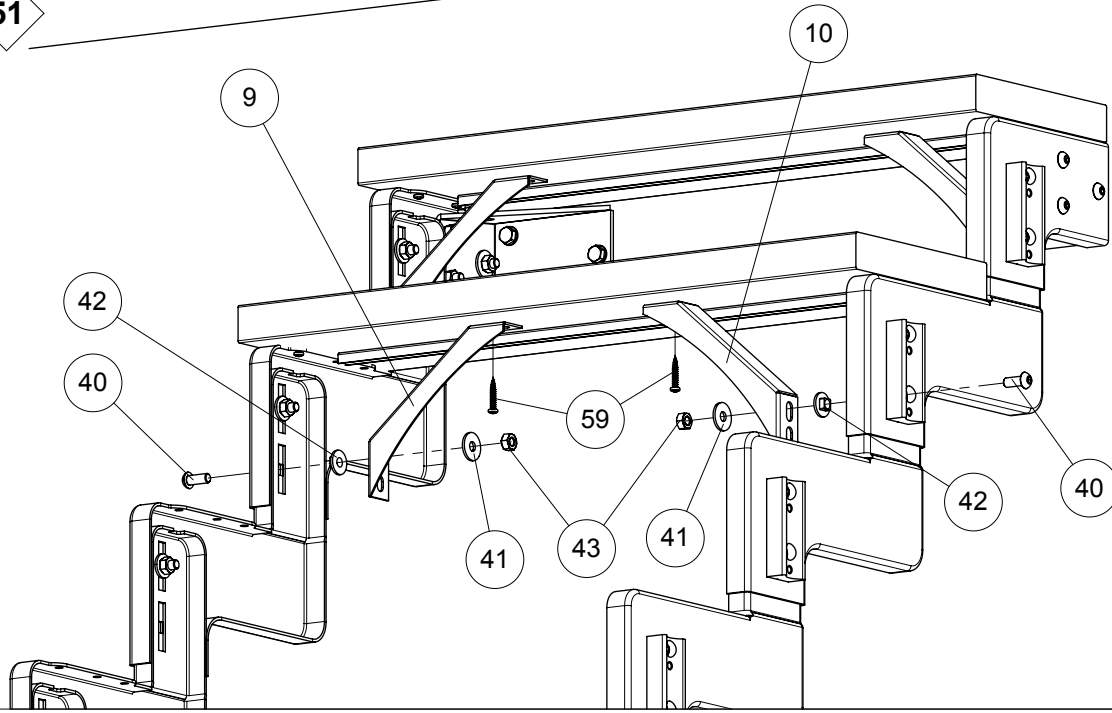
50

B



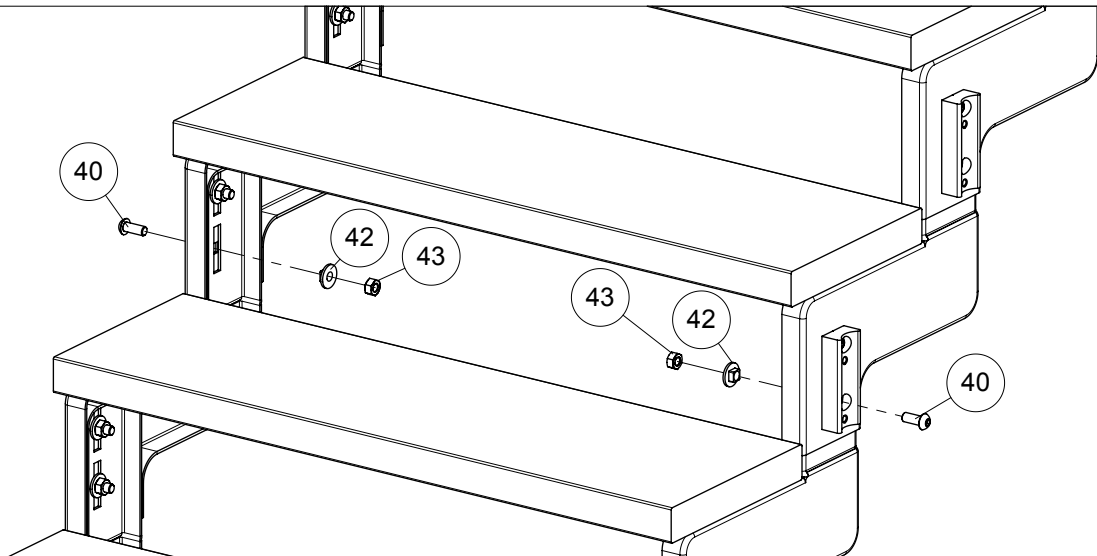
51

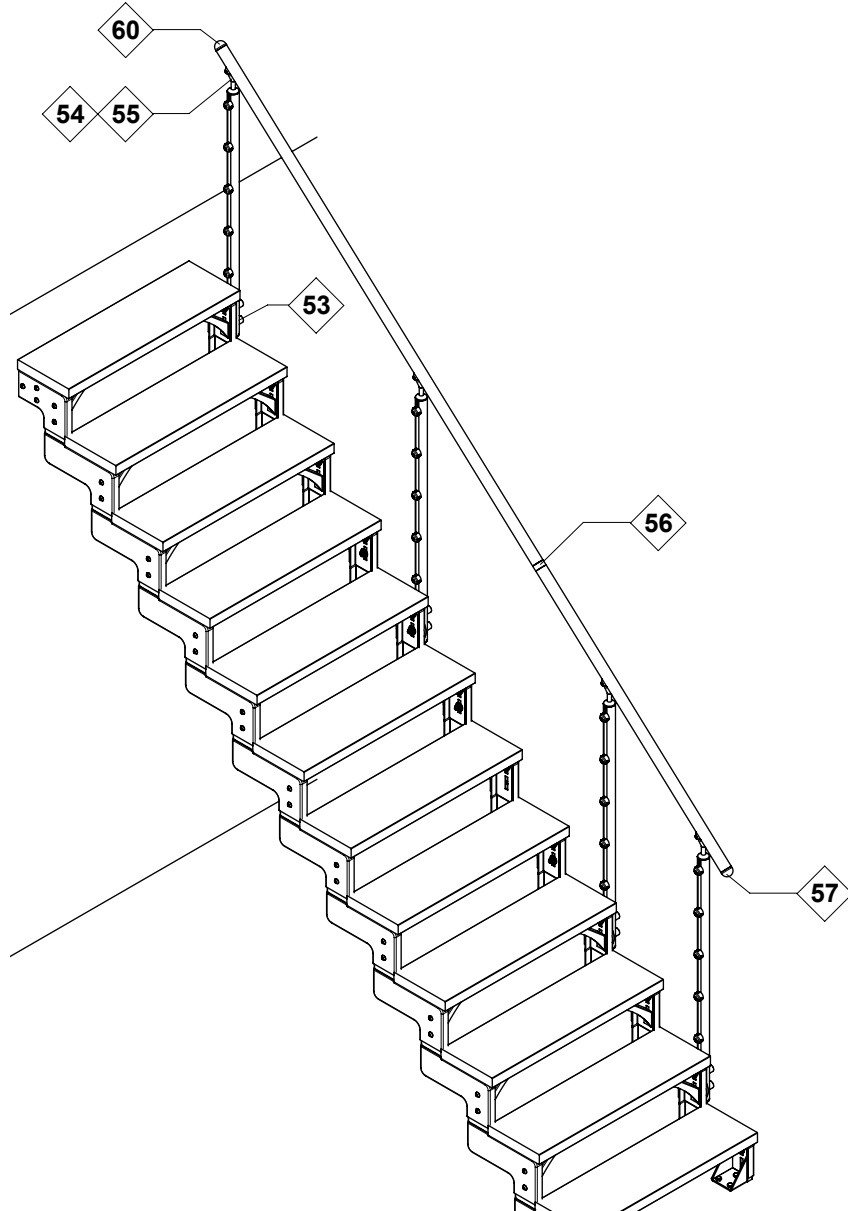
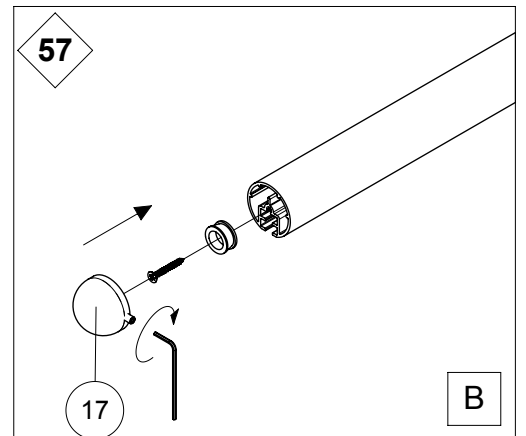
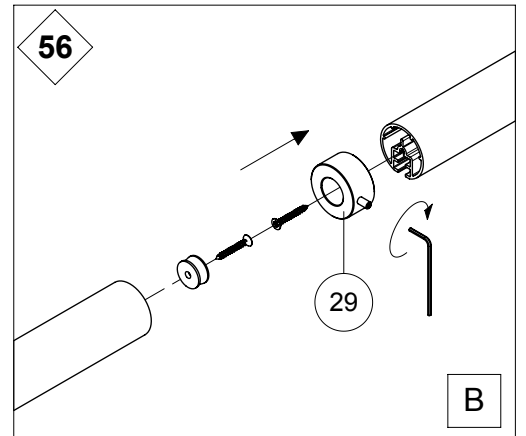
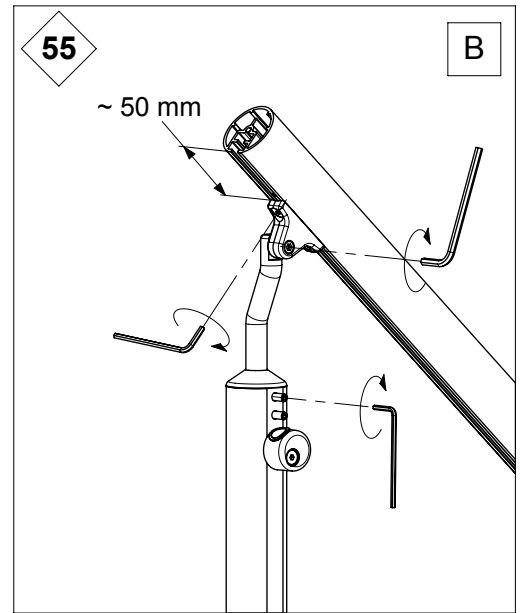
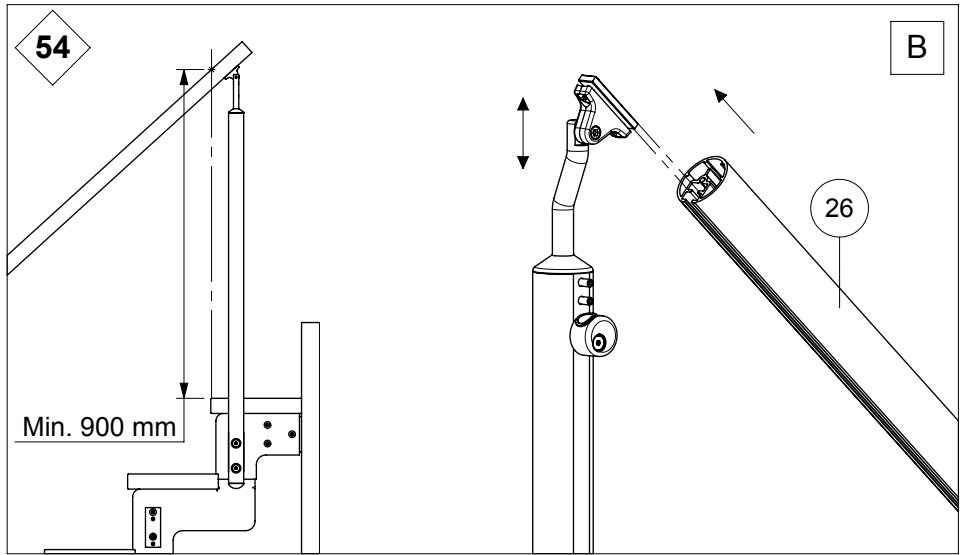
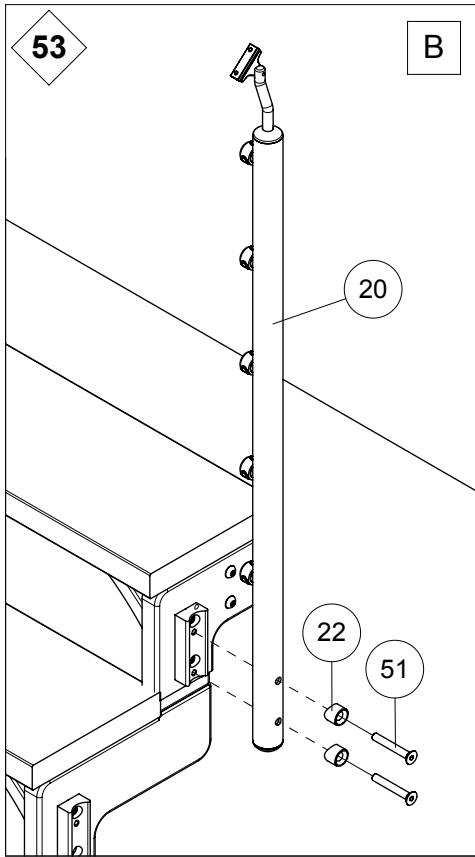
B

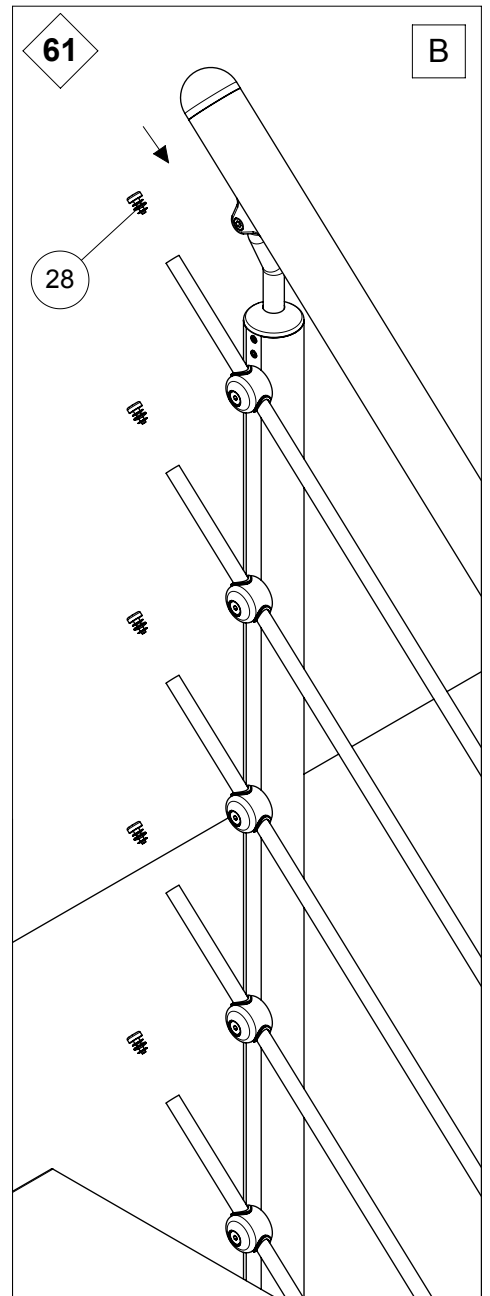
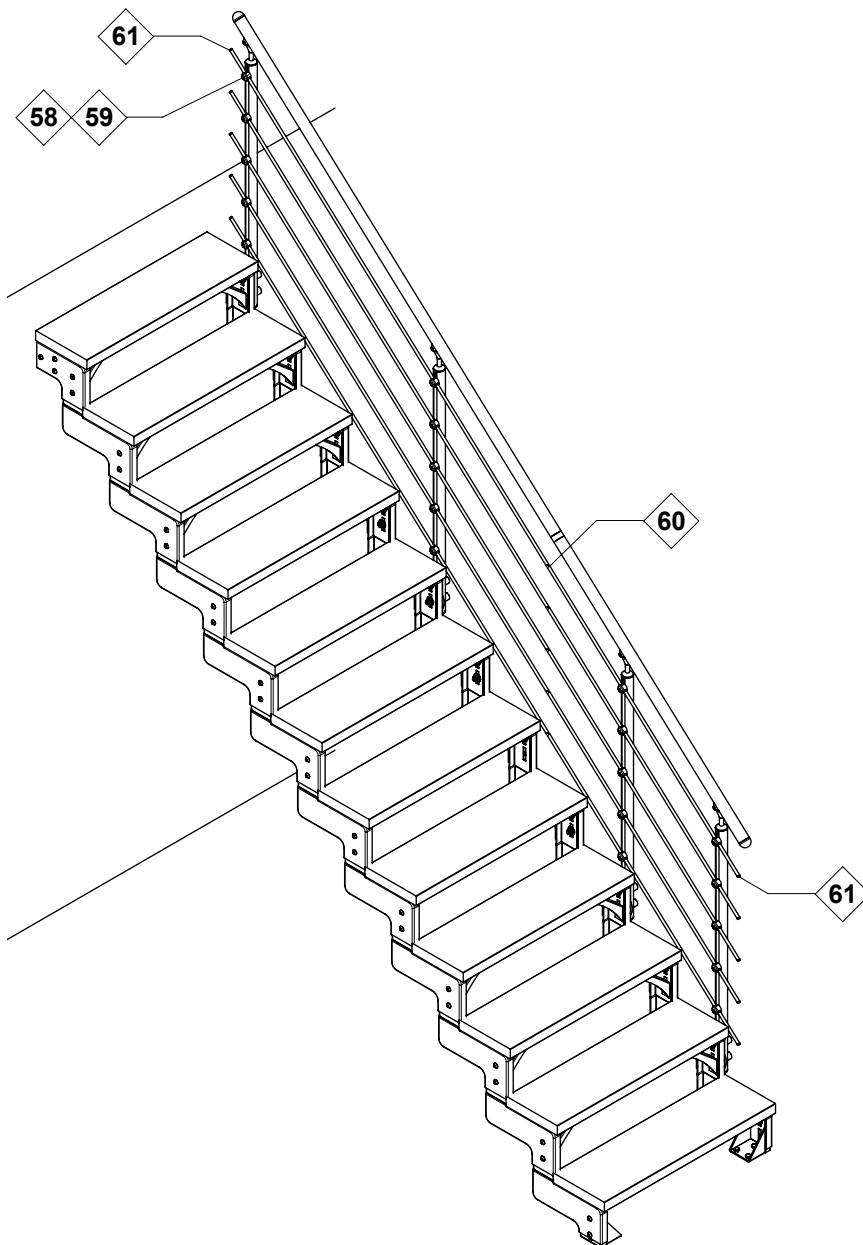
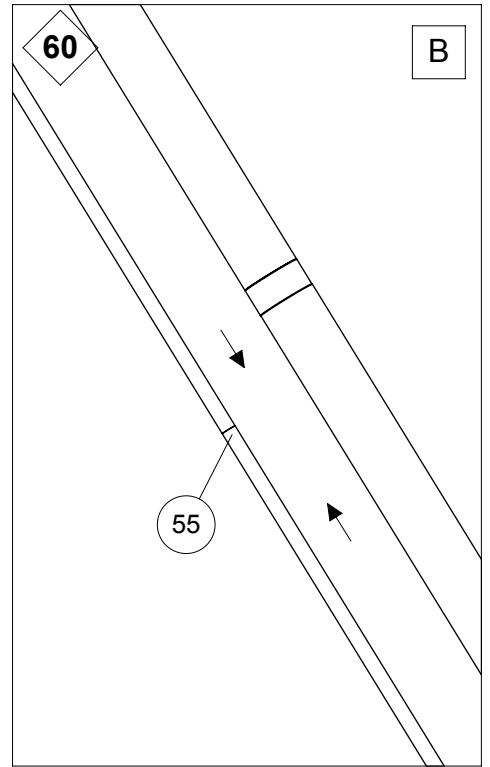
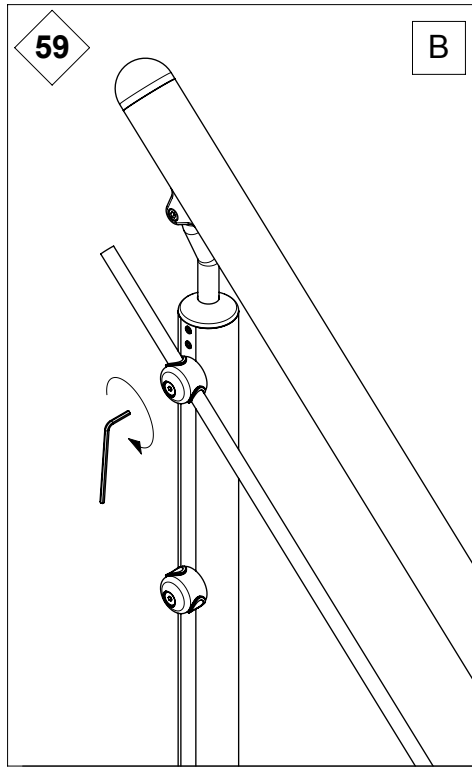
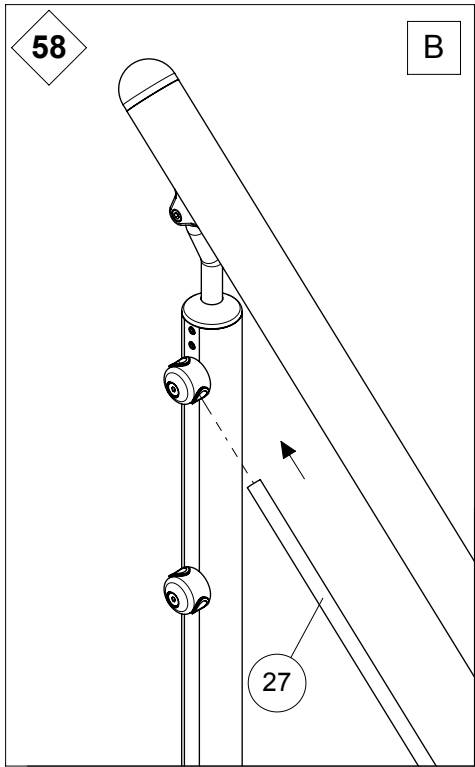



52

B







  
We recommend  
using a support  
column from 8 treads  
and if  $W = 100$  cm  
  
Ab 8 Stufen und  $W =$   
 $100$  cm empfehlen  
wir eine Abstützung  
der Treppe

