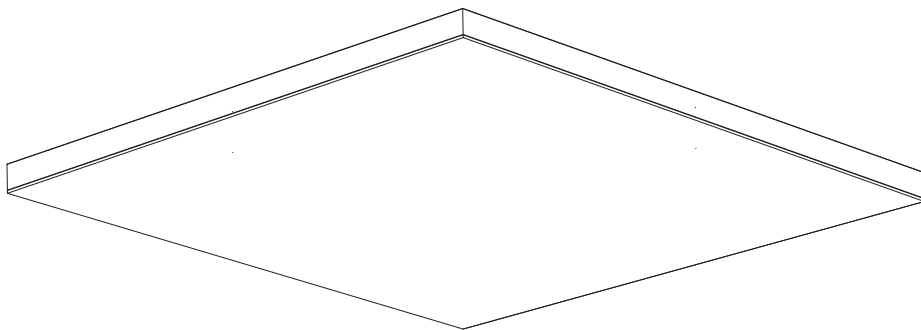
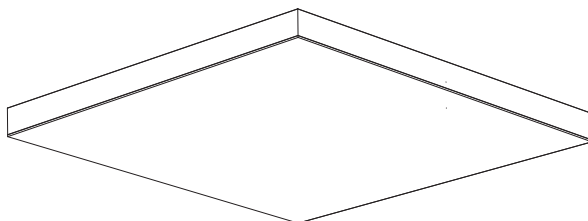
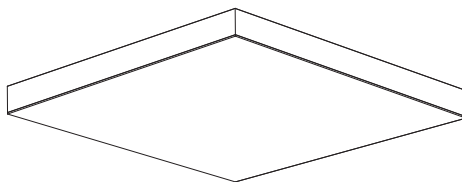
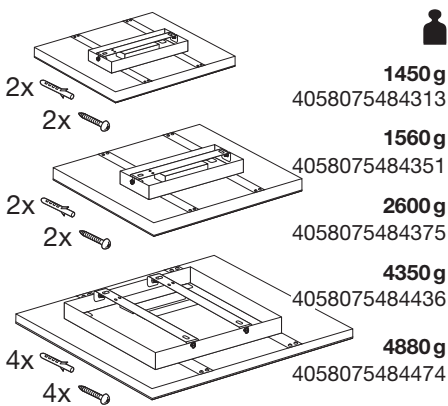




## SMART<sup>+</sup> PLANON FRAMELESS



	EAN	W	lm	K	⌀ (°C)	V~	mA	Hz	PF
SMART WIFI PLANON FRAMELESS 30X30TW	4058075484313	20	1600	3000-6500	-20...+40	220-240	90	50/60	>0.9
SMART WIFI PLANON FRAMELESS30X30RGBTW	4058075484351	20	1500	3000	-20...+40	220-240	90	50/60	>0.9
SMART WIFI PLANON FRAMELESS 45X45TW	4058075484375	28	2300	3000-6500	-20...+40	220-240	125	50/60	>0.9
SMART WIFI PLANON FRAMELESS 60X60TW	4058075484436	40	3400	3000-6500	-20...+40	220-240	180	50/60	>0.9
SMART WIFI PLANON FRAMELESS60X60RGBTW	4058075484474	40	3400	3000	-20...+40	220-240	185	50/60	>0.9



**1450 g**  
4058075484313

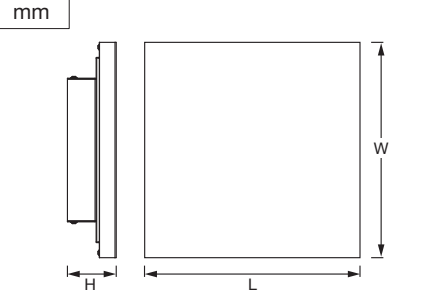
**1560 g**  
4058075484351

**2600 g**  
4058075484375

**4350 g**  
4058075484436


**4880 g**  
4058075484474

mm



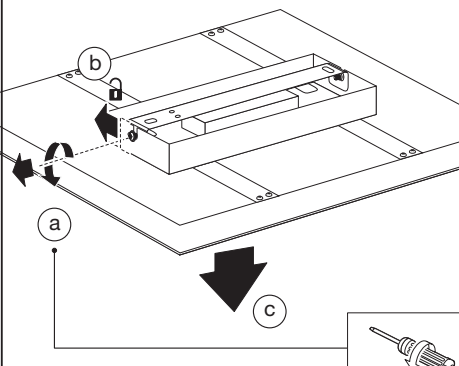
	L	W	H
300X300 20W	300	300	69
400X400 28W	450	450	69
600X600 40W	596	596	69

**1**

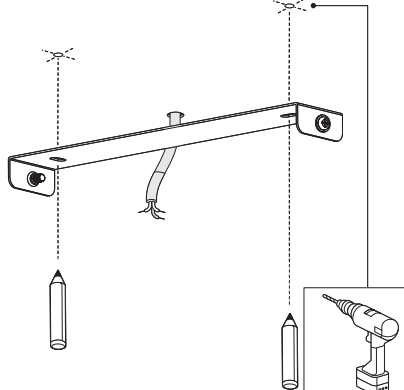


ON  
OFF

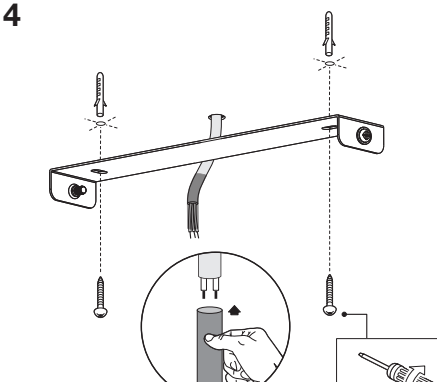
**2**

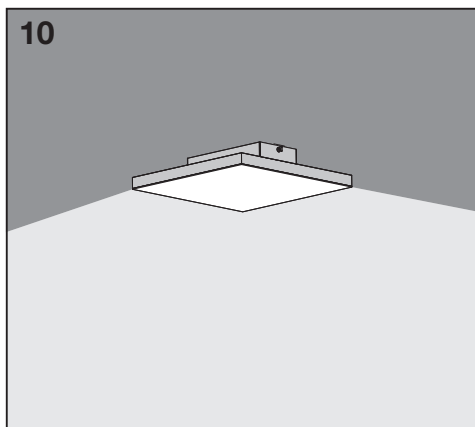
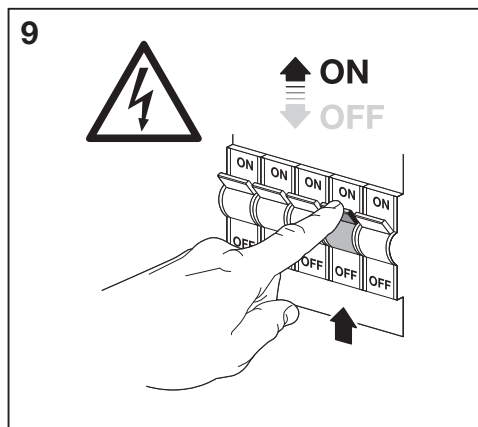
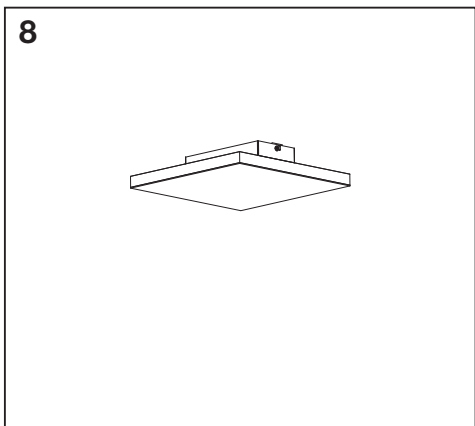
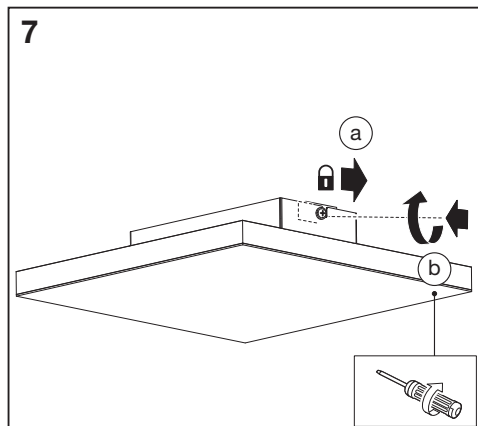
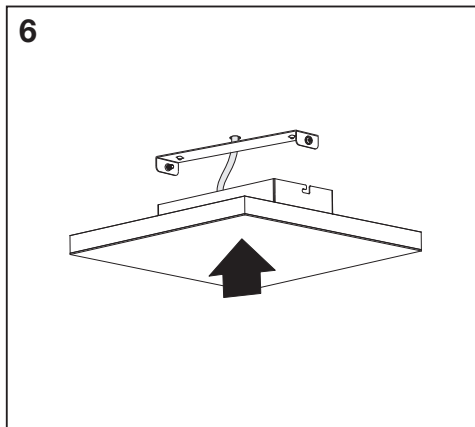
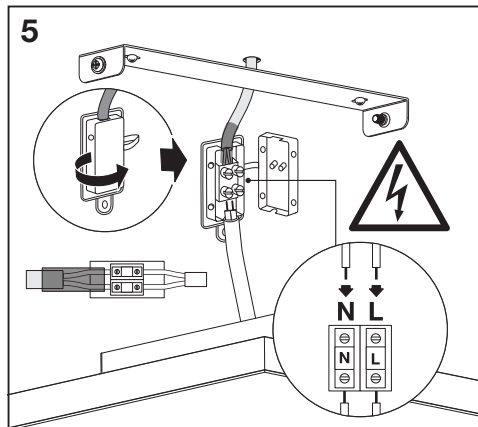


**3**



**4**







RoHS

C10449057  
G11103892  
10.09.2020



LEDVANCE GmbH  
Steinerne Furt 62  
86167 Augsburg, Germany  
[www.ledvance.com](http://www.ledvance.com)